

NEXT
GENERATION
BATHROOM
PRODUCTS

AQUASTONE

ABOUT US

Polish manufacturer with Polish capital

Team with international experience

Many years of experience in the sanitary industry

Factory located in Wielkopolska

Carefully selected raw materials only from European sources

Own design team (with several distinctions and awards)

Own innovative AquaStone® technology

Cooperation with Polish technical universities and scientific institutes

AQUASTONE®

It is a new, competitive technology that **increases the quality, competitiveness, usability and hygiene** of sanitary products on the market, developed in cooperation with Polish Institute of Industrial Chemistry. It's not only about the technology - first of all our material results in **best sales margin for you.**

With the development of manufacturing and processing technology of new advanced materials, the products are **unique in the world of innovative sanitary products** in this technology, the innovation of which is manifested in improved performance properties of +10% to +120%:

- force of impact**
- resistance to bending**
- hardness**
- abrasion resistance**

OUR CAPABILITIES

Production capacity

*360 baths
1340 washbasins
1340 shower trays
per month*

In-house expertise

*in NPD process execution
for the customer (from
design to implementation)*

More color

*Bicolor and full color
production possibilities*

Technology

*Tested higher technical
parameters compared
to competitive products*

More options

*possibility to personalize
products with own logo
or graphics*

Technique

*The best competences
on the Polish market
in designing and
manufacturing moulds*

Materials

*Vestality of the offer
(Top Coating, Solid
Surface)*

Meeting point

*Collaboration and focus
on the business needs
of our partners*

AQUASTONE

possibilities of cooperation



**B2C
Channel**

**B2B
Channel**

**Your
Private
Label**



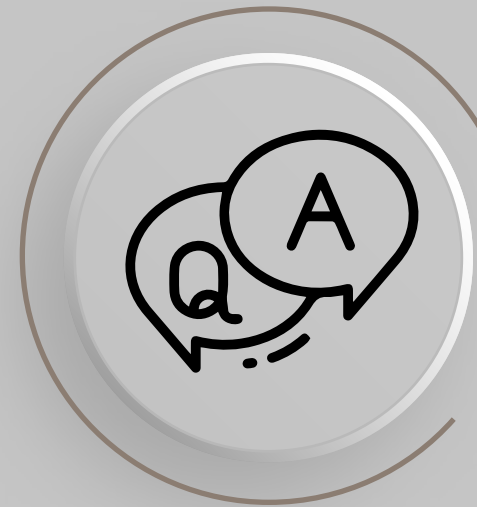
FJORDD

NATURAL SHAPE OF PURE JOY

- Showcase of our technical and technological capabilities
 - full range of products (bathtubs & washbasins & freestanding washbasins & shower trays)
- Product attractive for end users and architects:
 - variety finishes (gloss & matt), Fjordd's color palette, two-color and full-color products
- The Fjordd collection will be constantly developed with new products
- Fjordd's current catalog in the attachment

WE LISTEN AND MAKE SUGGESTIONS

we carefully listen to your business needs, which we will turn into dedicated proprietary solutions



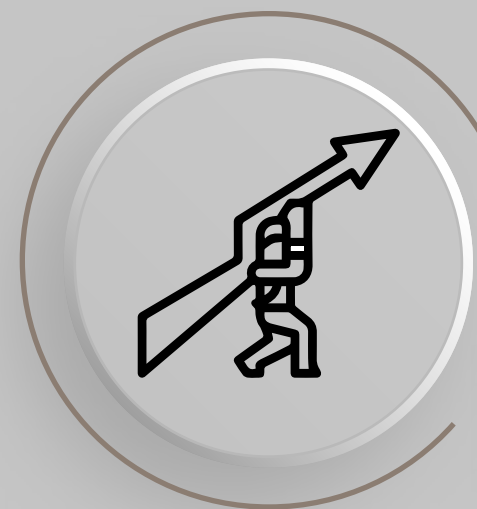
WE THINK INNOVATIVELY

we will supplement each of your suggestions with creative proposals to create a truly unique product for you



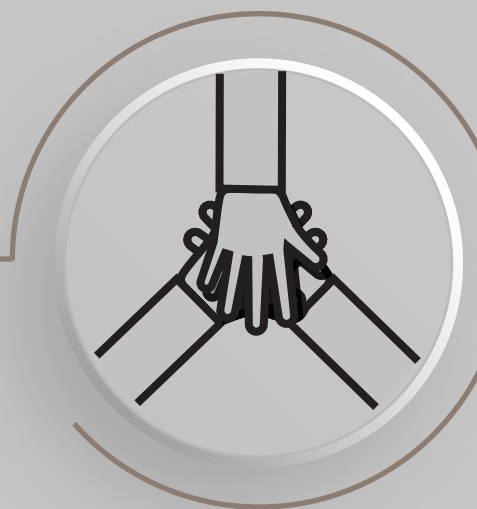
WE PROVIDE BENEFITS

thanks to our cooperation, you will increase the sales potential of your products, significantly increase their margin and gain an advantage over your competitors



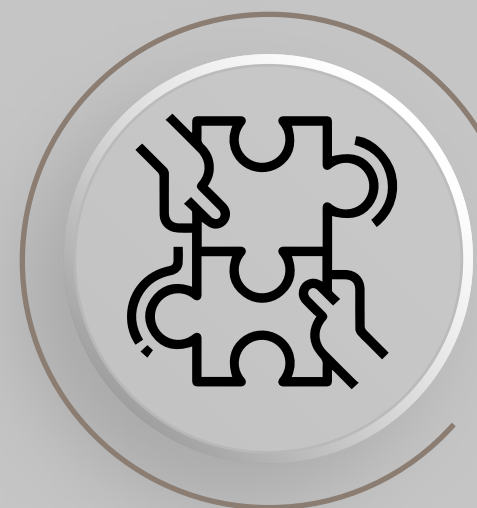
WE ARE 100% COMMITTED

each project is carried out quickly and perfectly, taking into account all individual requirements



WE PROVIDE CONSULTANCY

you will find in us a partner who will provide you with professional service and support at every stage of cooperation



WE BUILD LASTING RELATIONSHIPS

we care about lasting relationships, which we build based on trust, reliability and timeliness



B2B partnership



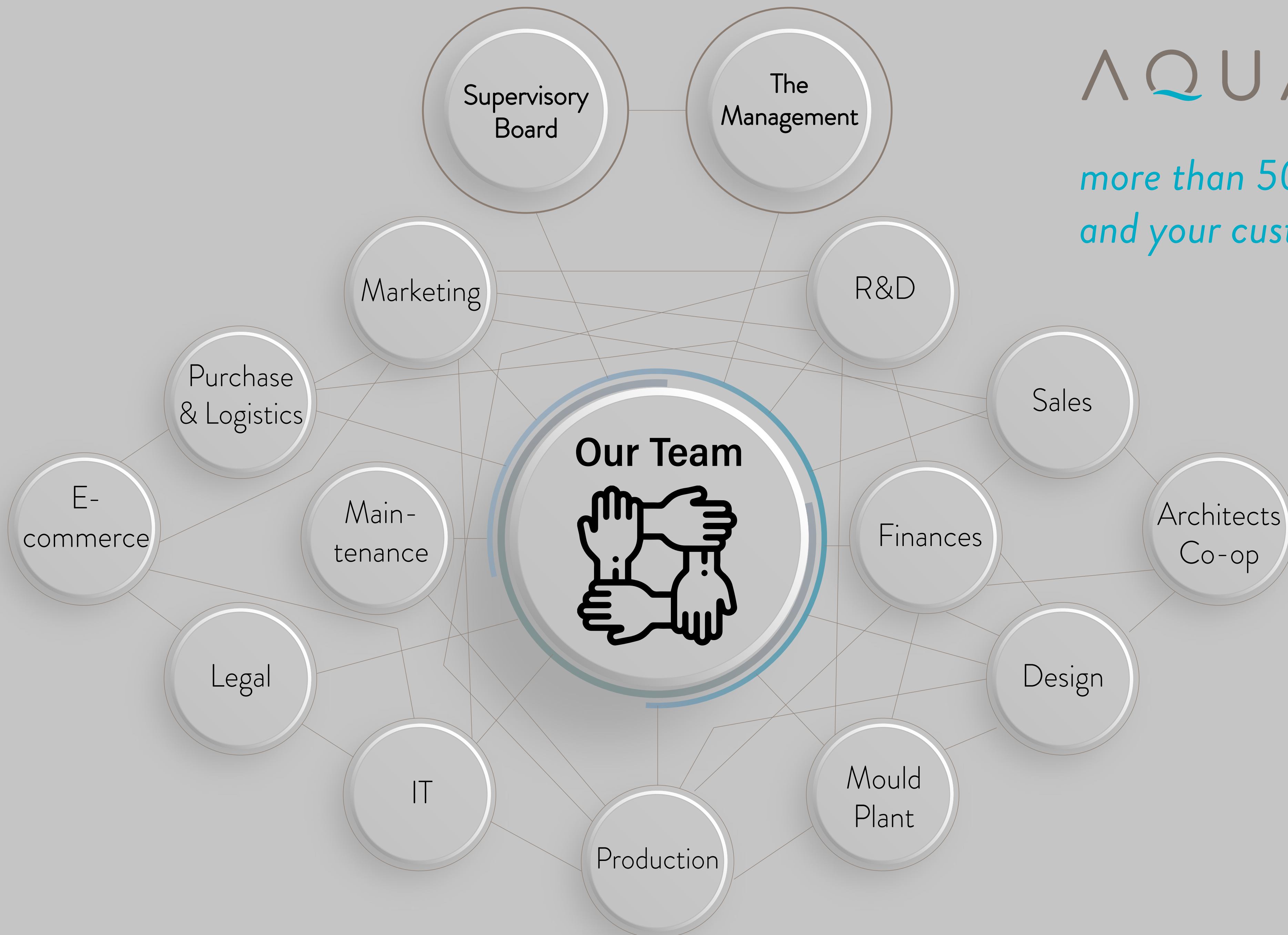


Benefits of working with AquaStone

- High sales margin due to attractive and stable purchase prices
- Lead times up to 7 days on selected models
- Significant financial and logistical ease and savings :
 - reduction of logistics costs by reducing product weight by up to 40%
 - possible direct shipments to showrooms
 - no customs and tax costs associated with importation from China
- Reliable partner - ongoing support and advice in the area of customer service, cooperation with architects and technical aspects
- Stable quality confirmed by tests and European certificates
- Shortest implementation times on the market, possibility to develop technology, finish, colours and unique design according to customer requirements

AQUASTONE

*more than 50 people to serve you
and your customers*





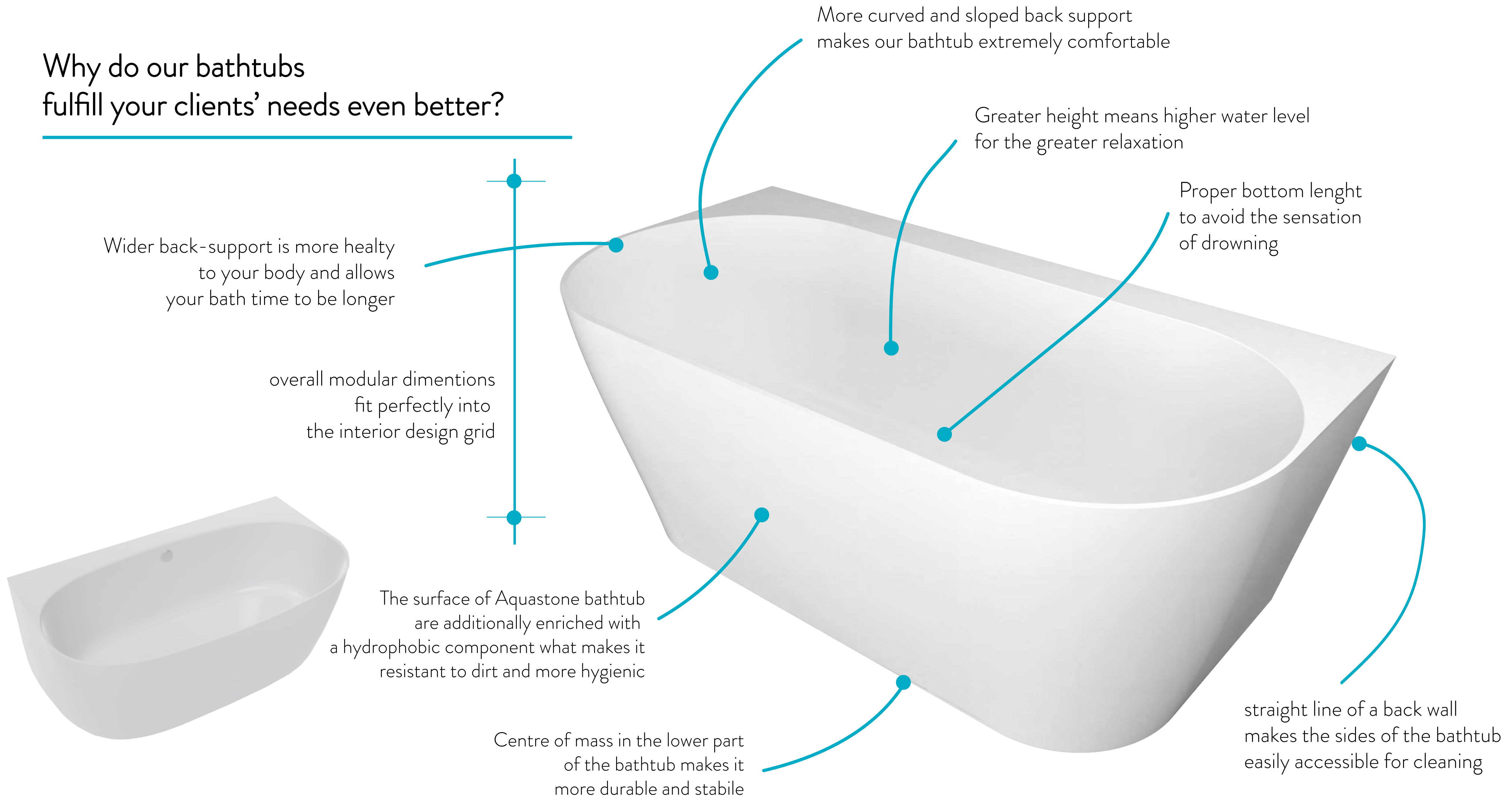
Our offer to meet your needs



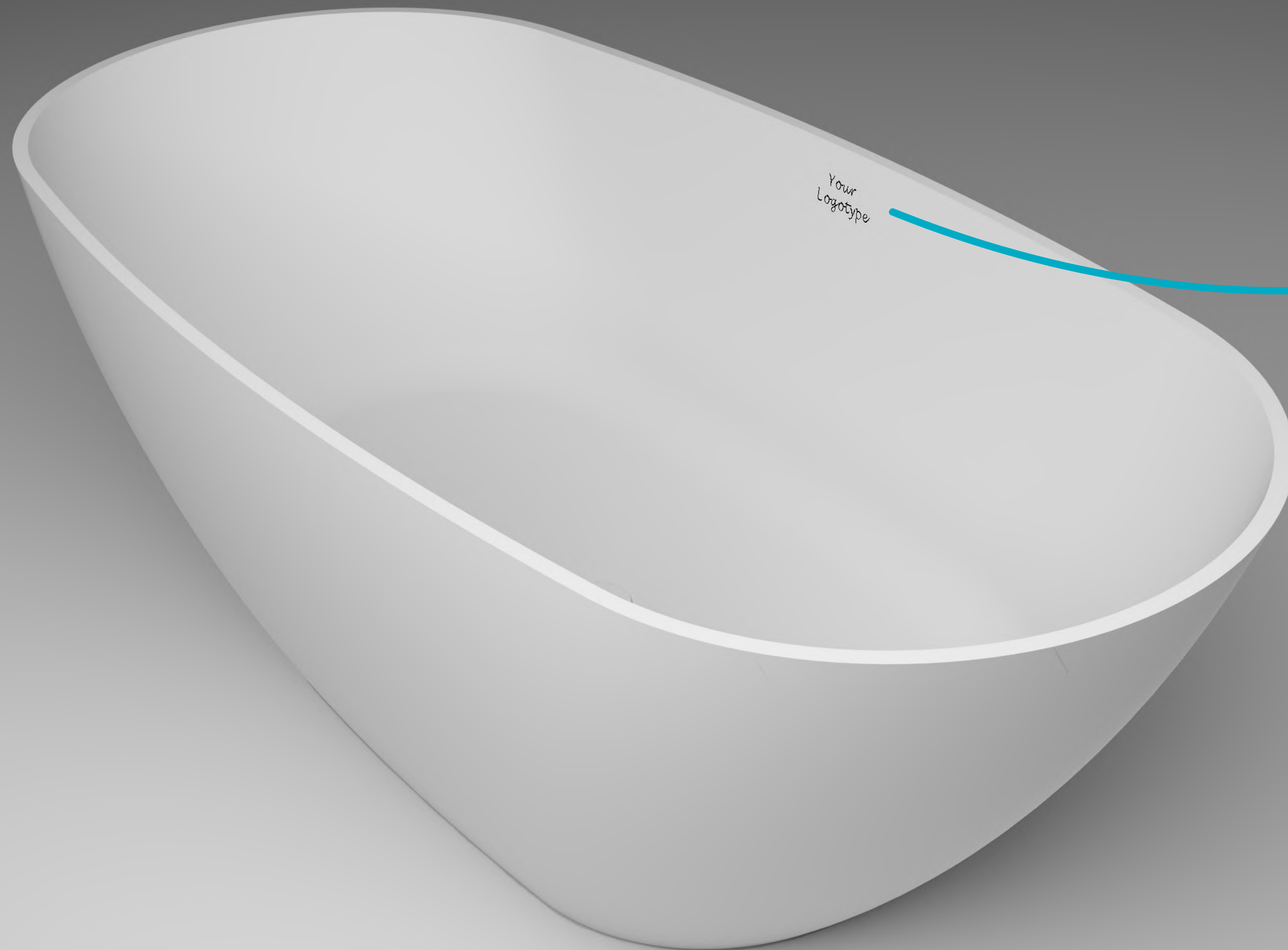
Bathtubs



Why do our bathtubs fulfill your clients' needs even better?



Laser engraved logotype
for full customisation of your label



Your Logo

Material of choice
Click Clack bathtub waste



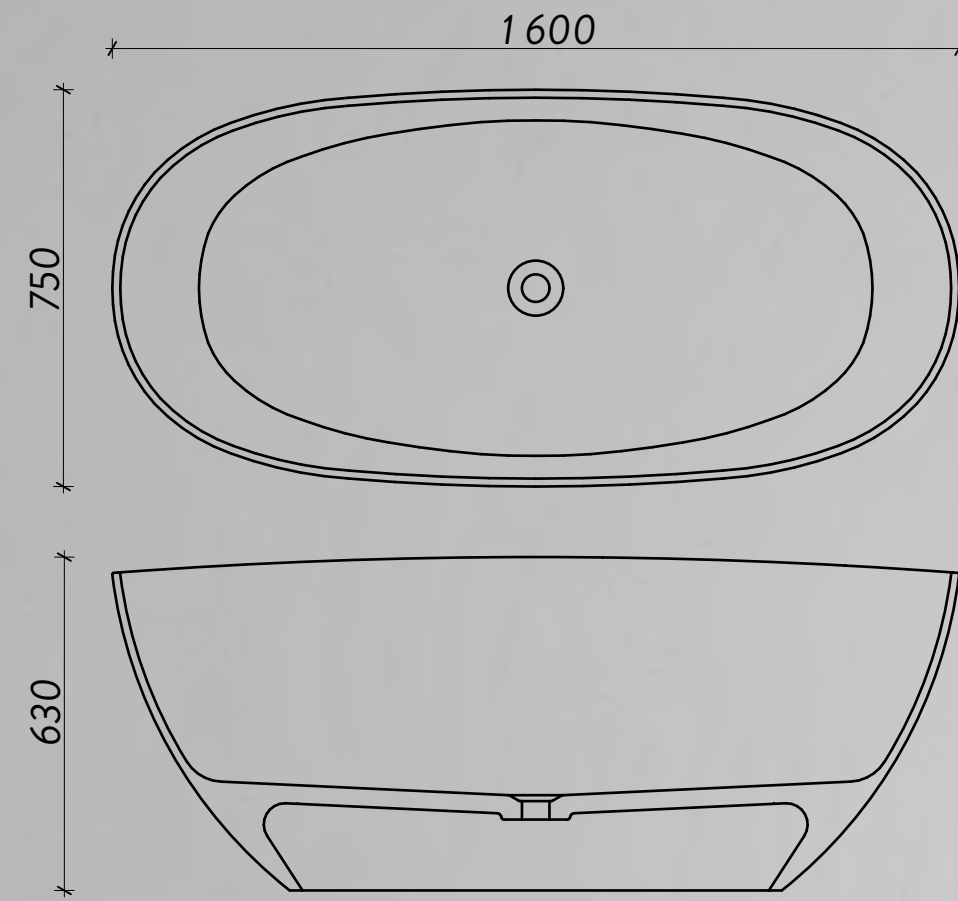
CHROME

WHITE



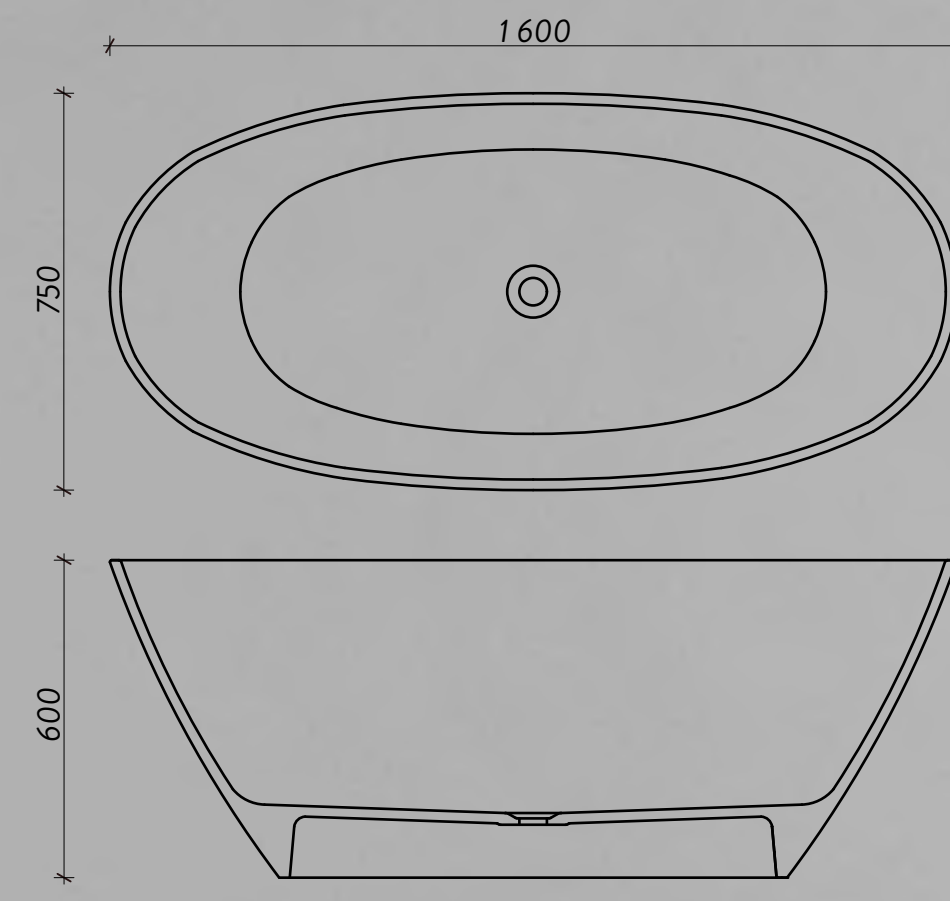
AQS 1

Free-standing bathtub
1600 x 750



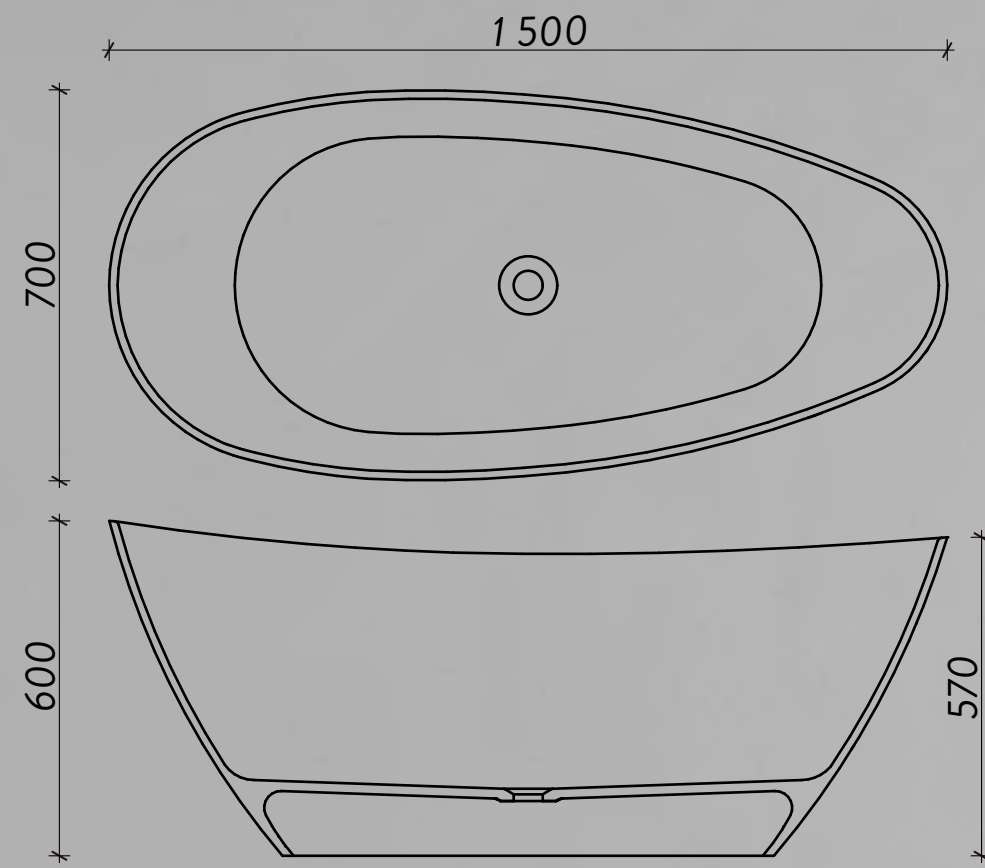
AQS 2

Free-standing bathtub
1600 x 750



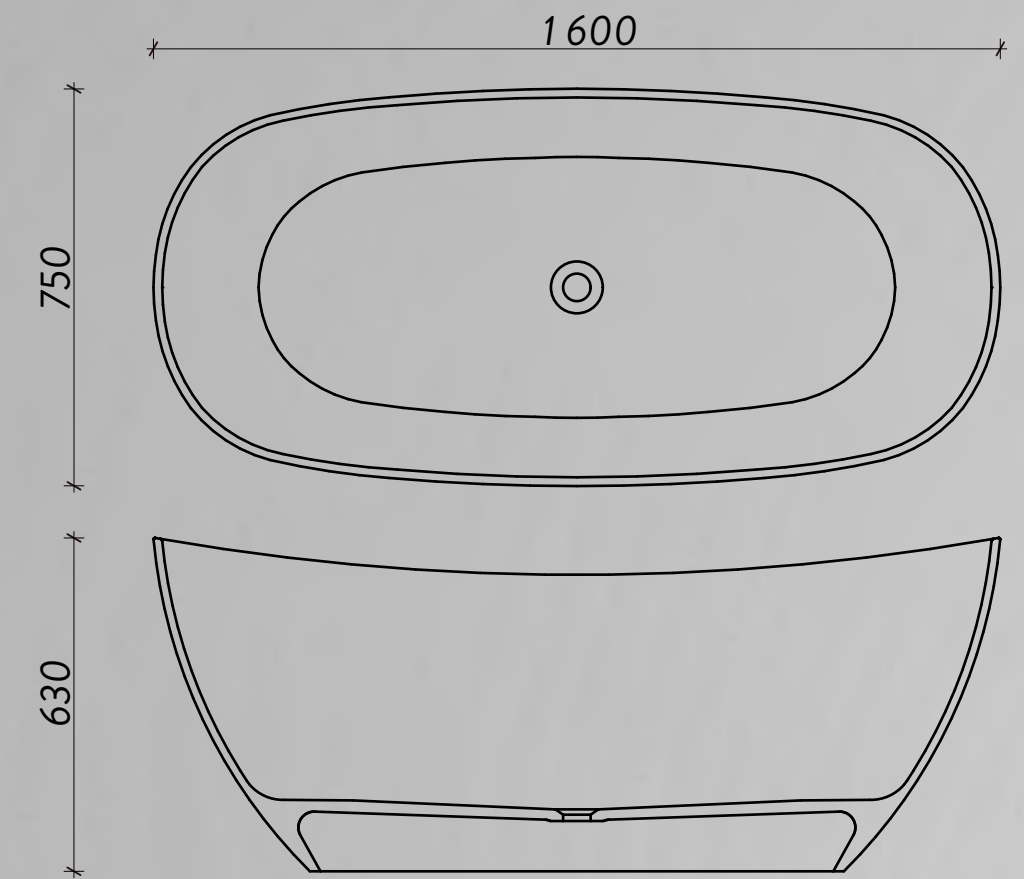
AQS 3

Free-standing bathtub
1500 x 700



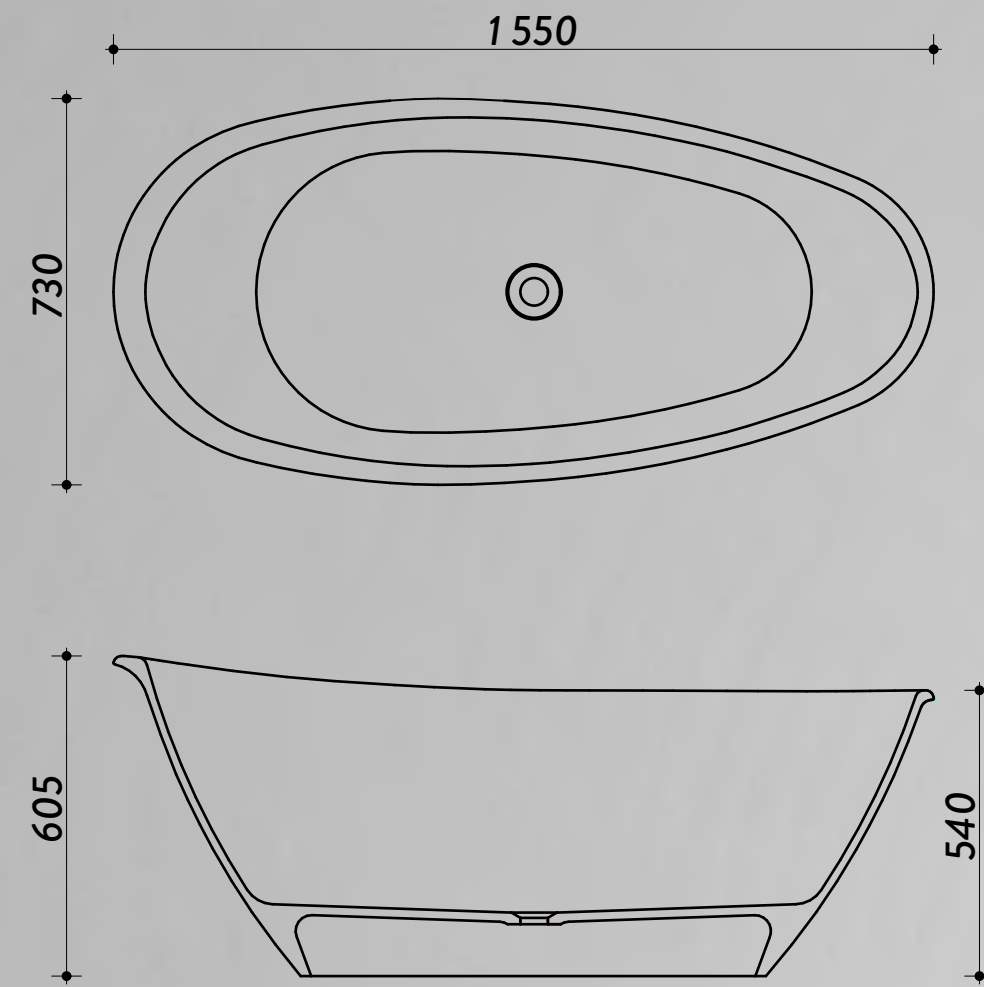
AQS 4

Free-standing bathtub
1600 x 750



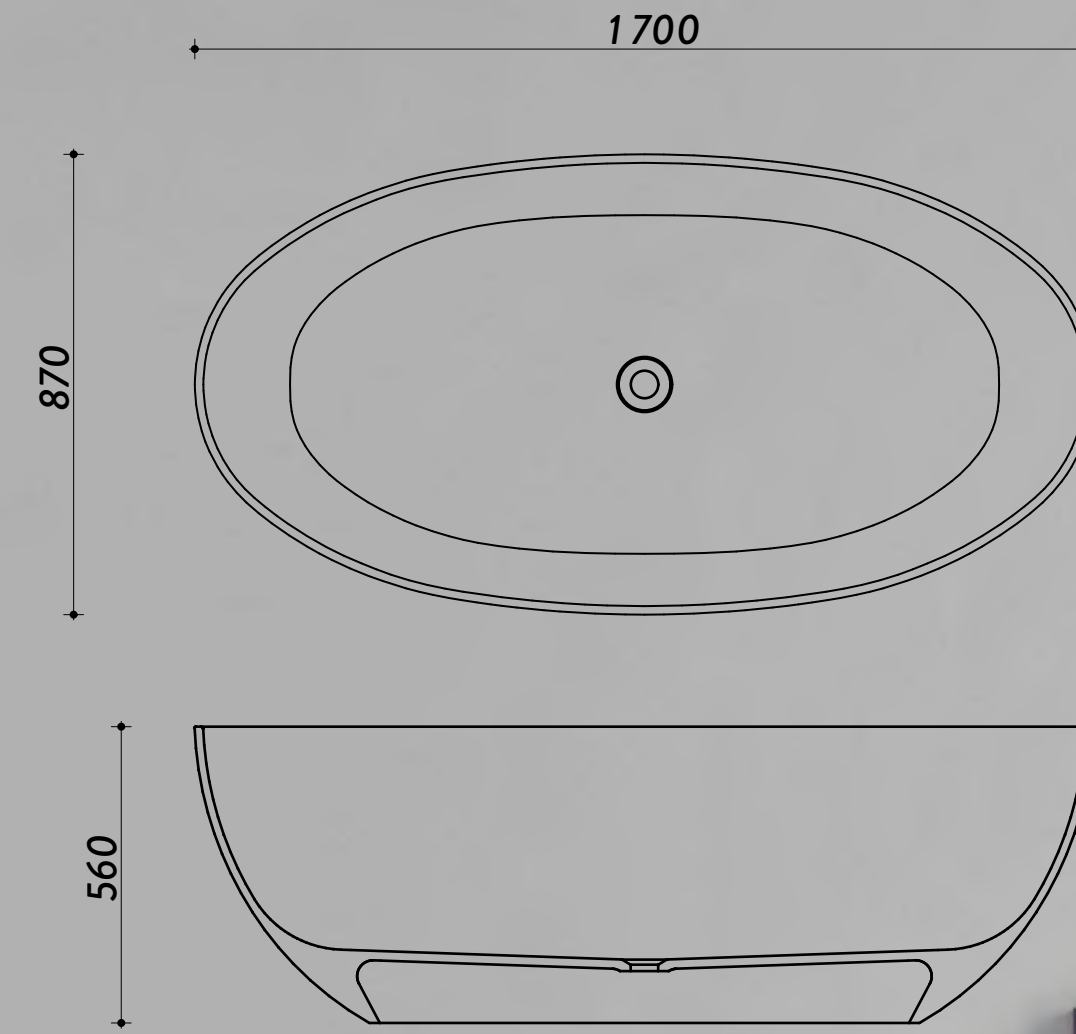
AQS 5

Free-standing bathtub
1550 x 730



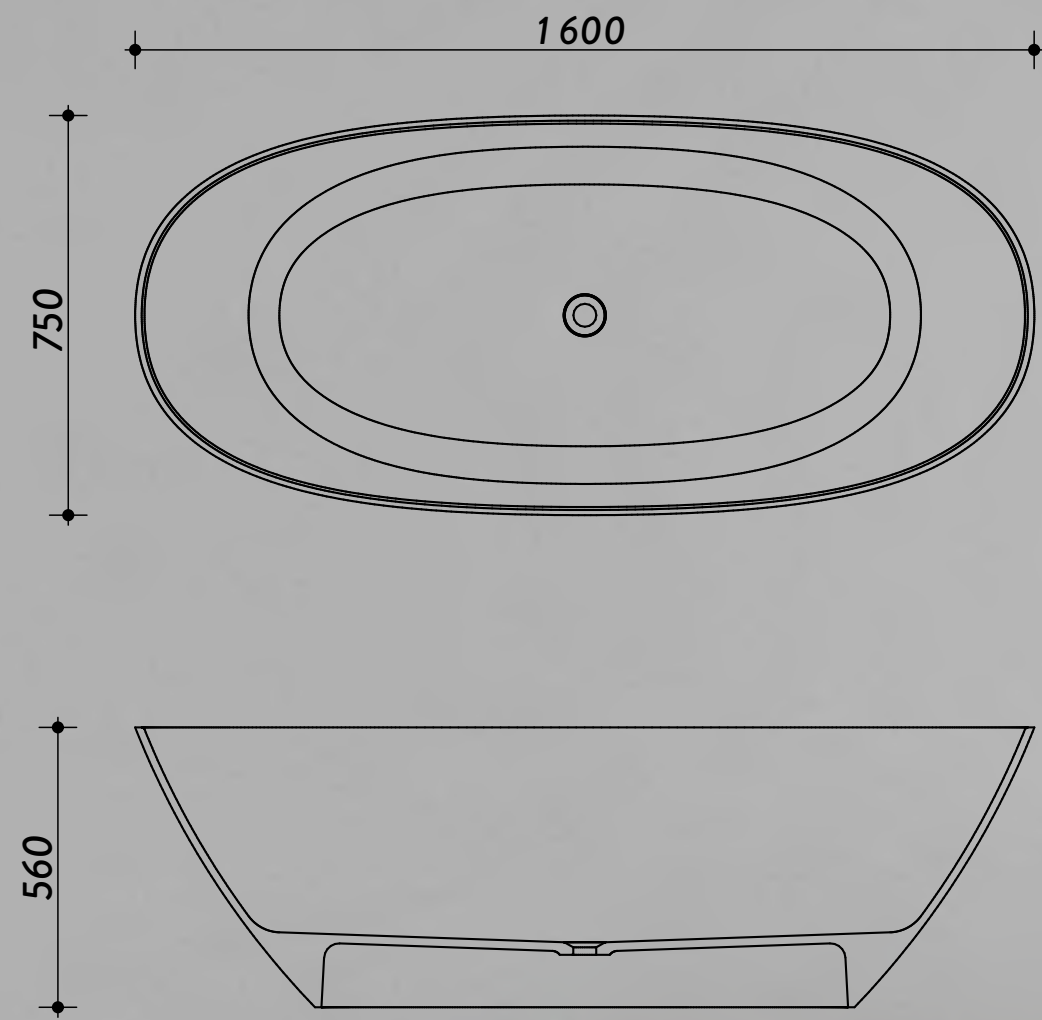
AQS 6

Free-standing bathtub
1700 x 870



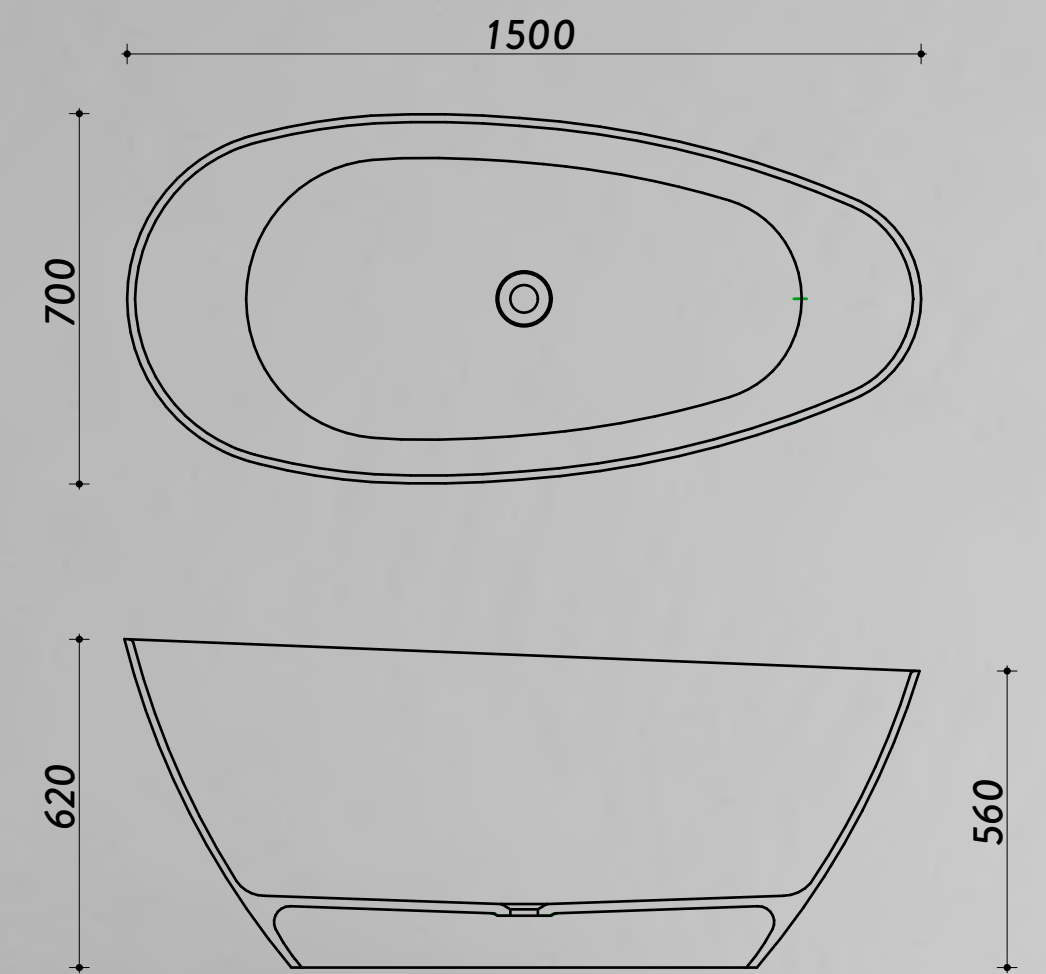
AQS 7

Free-standing bathtub
1600 x 750



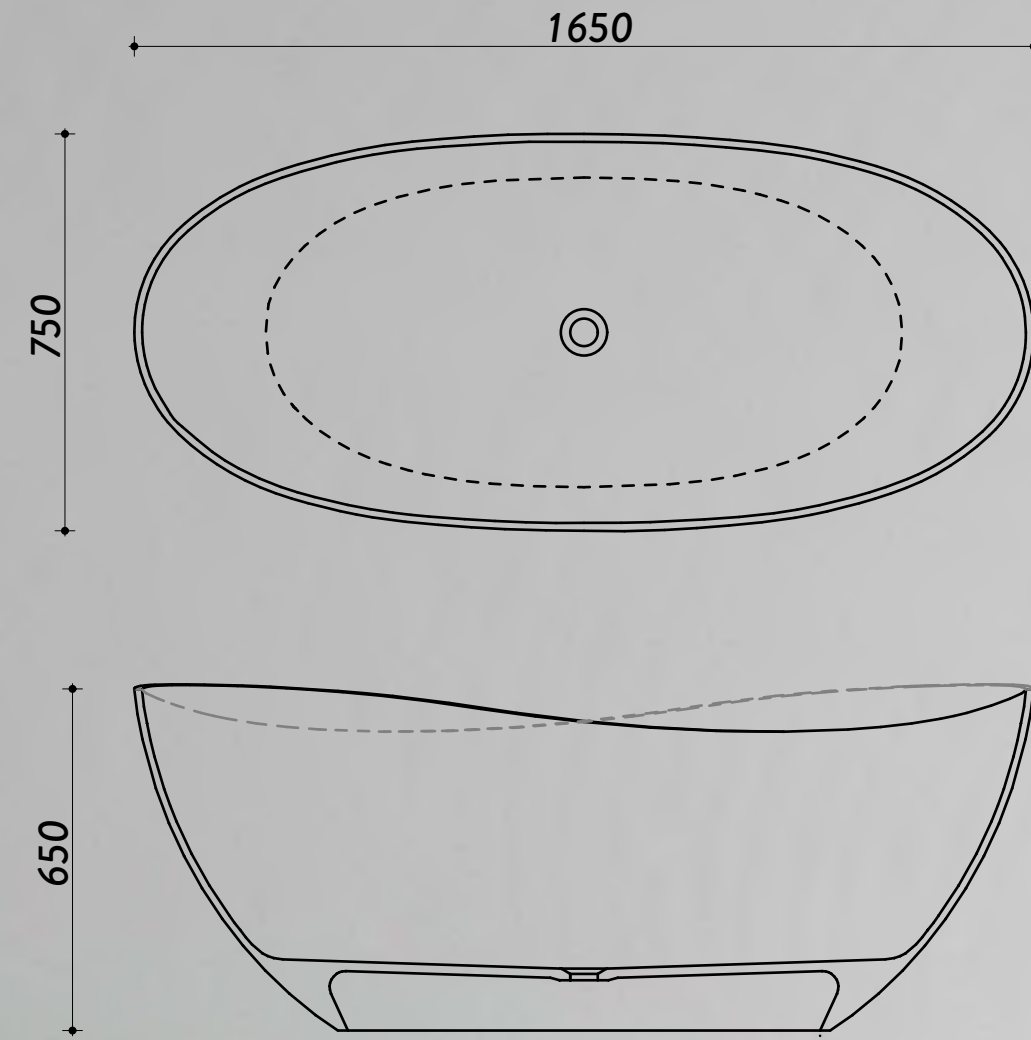
AQS 8

Free-standing bathtub
1500 x 700



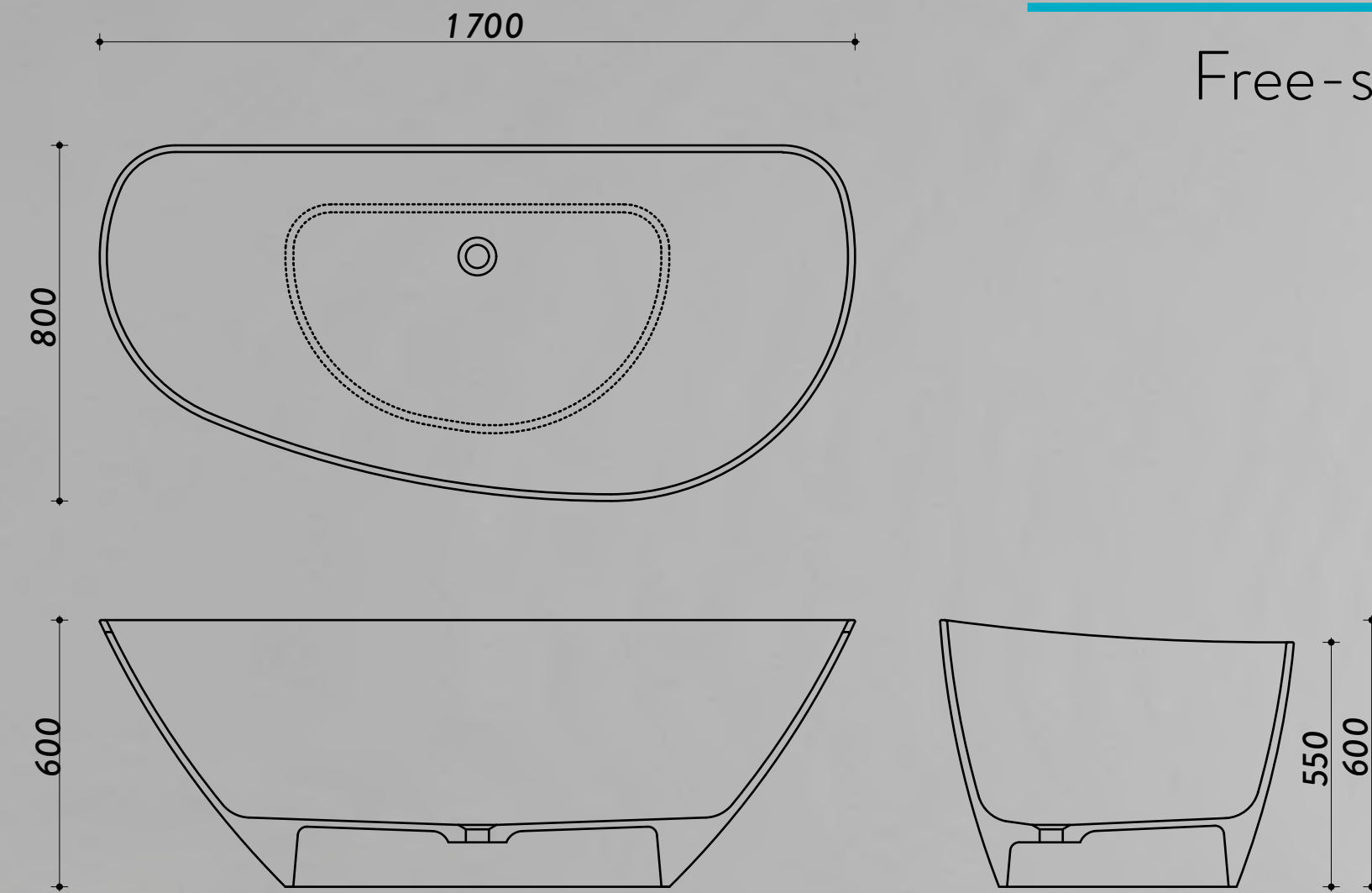
AQS 9

Free-standing bathtub
1650 x 750



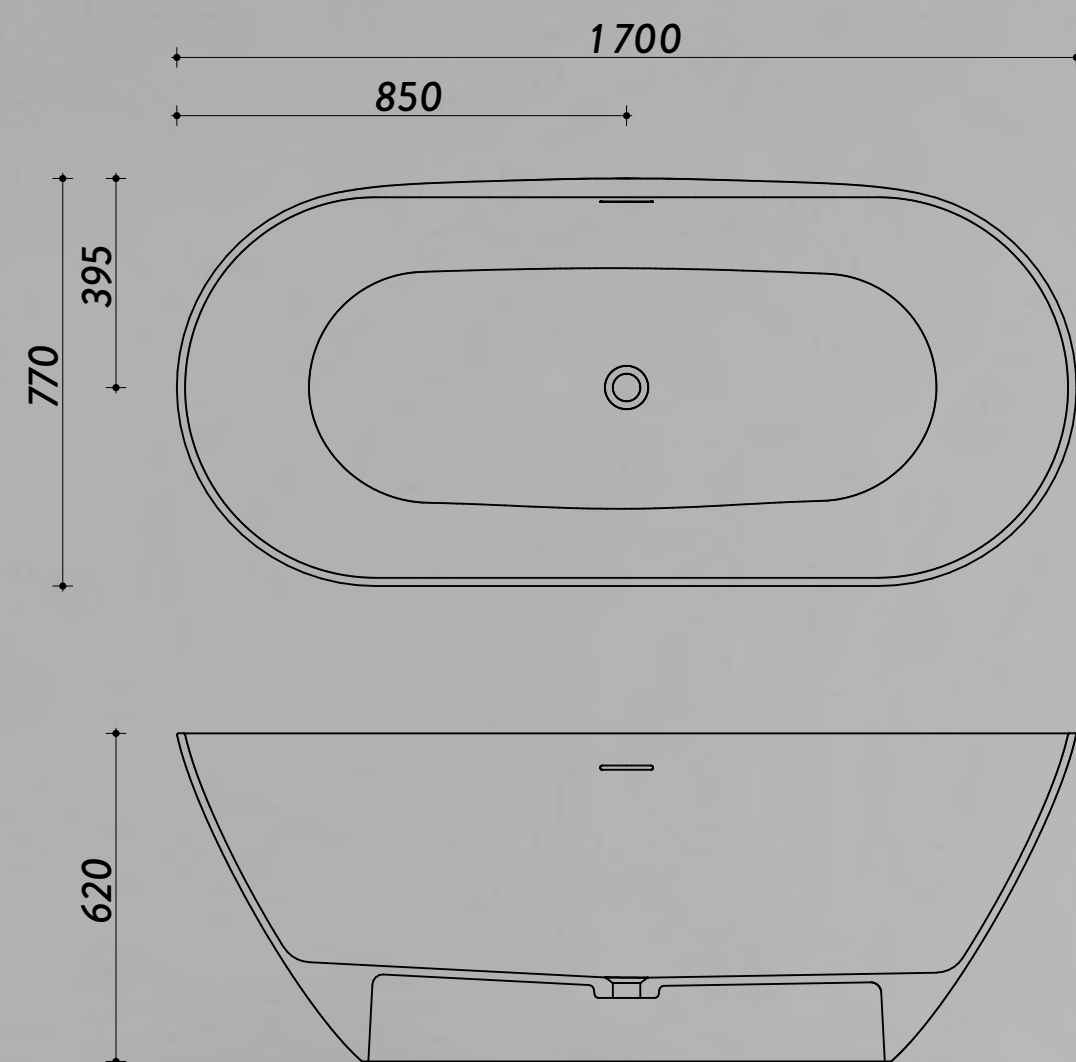
AQS 10

Free-standing bathtub
1700 x 800



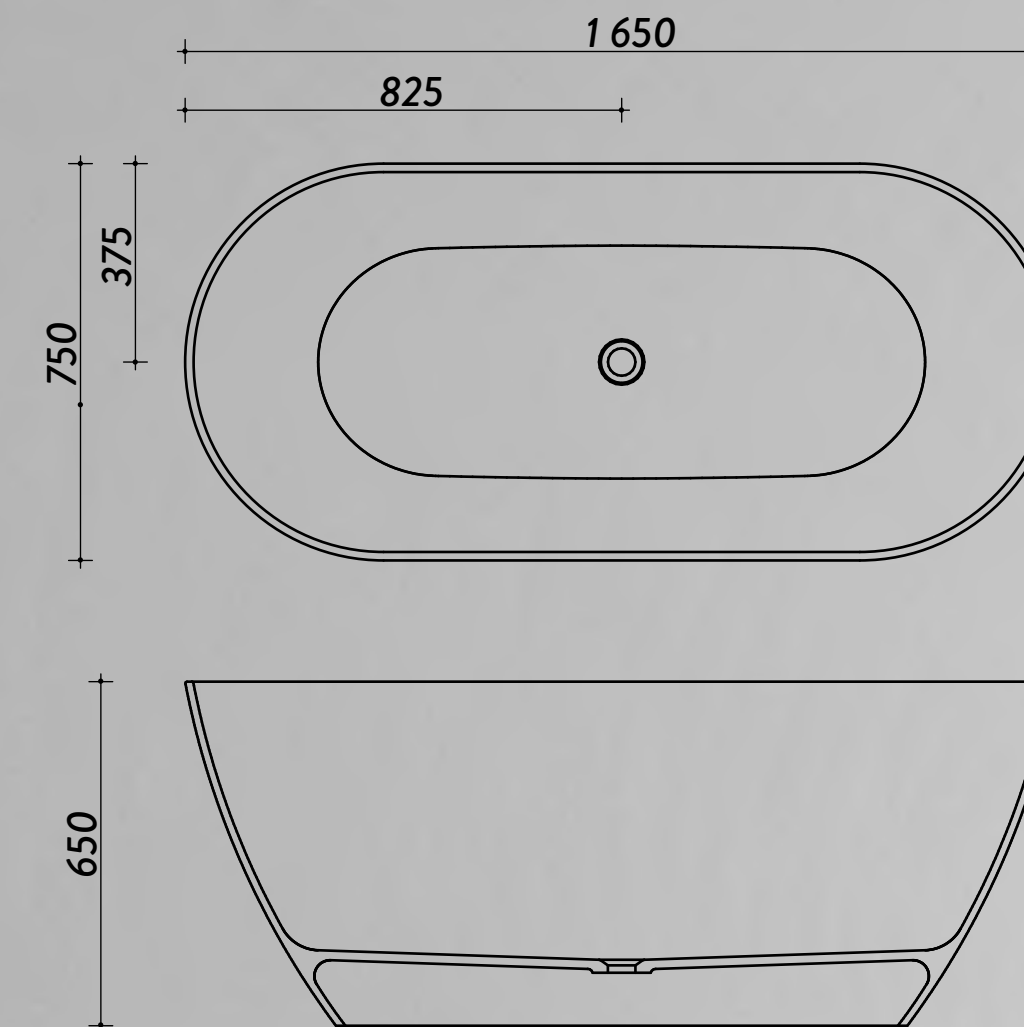
AQS 11

Free-standing bathtub
with integrated overflow
1700 x 770



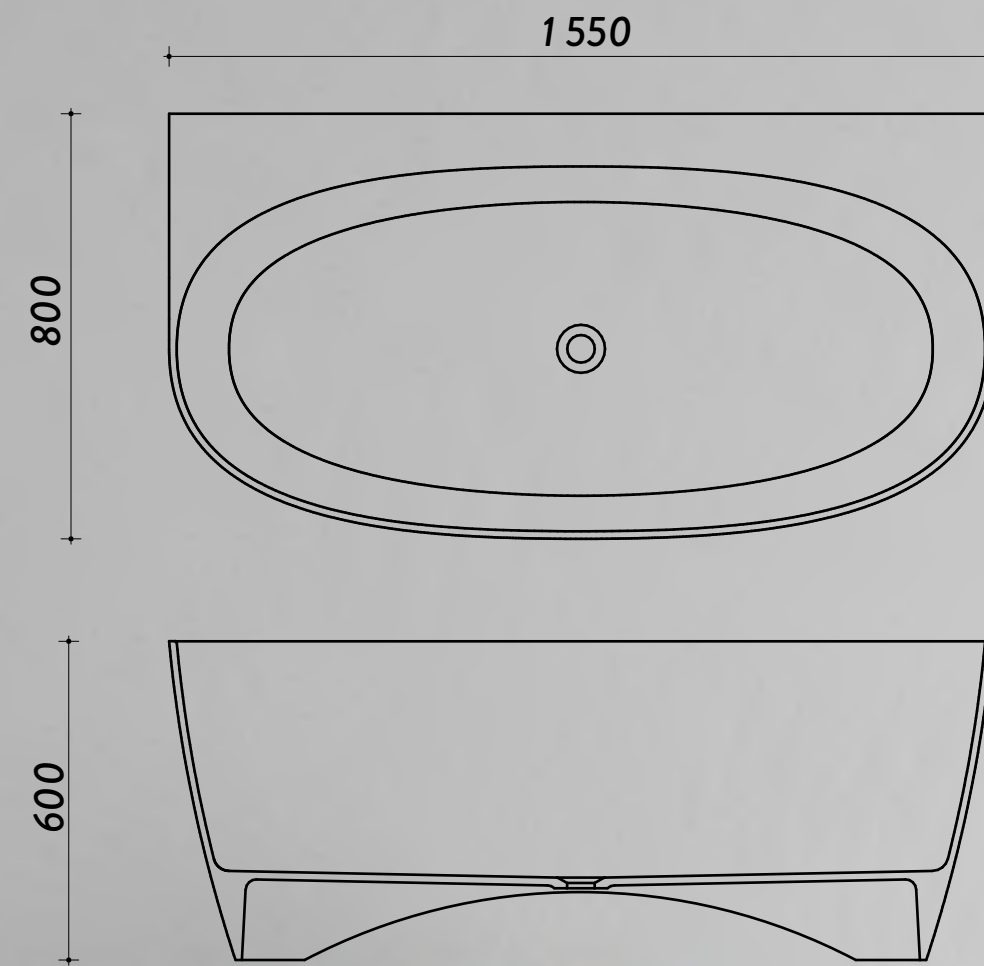
AQS 12

Free-standing bathtub
1650 x 750



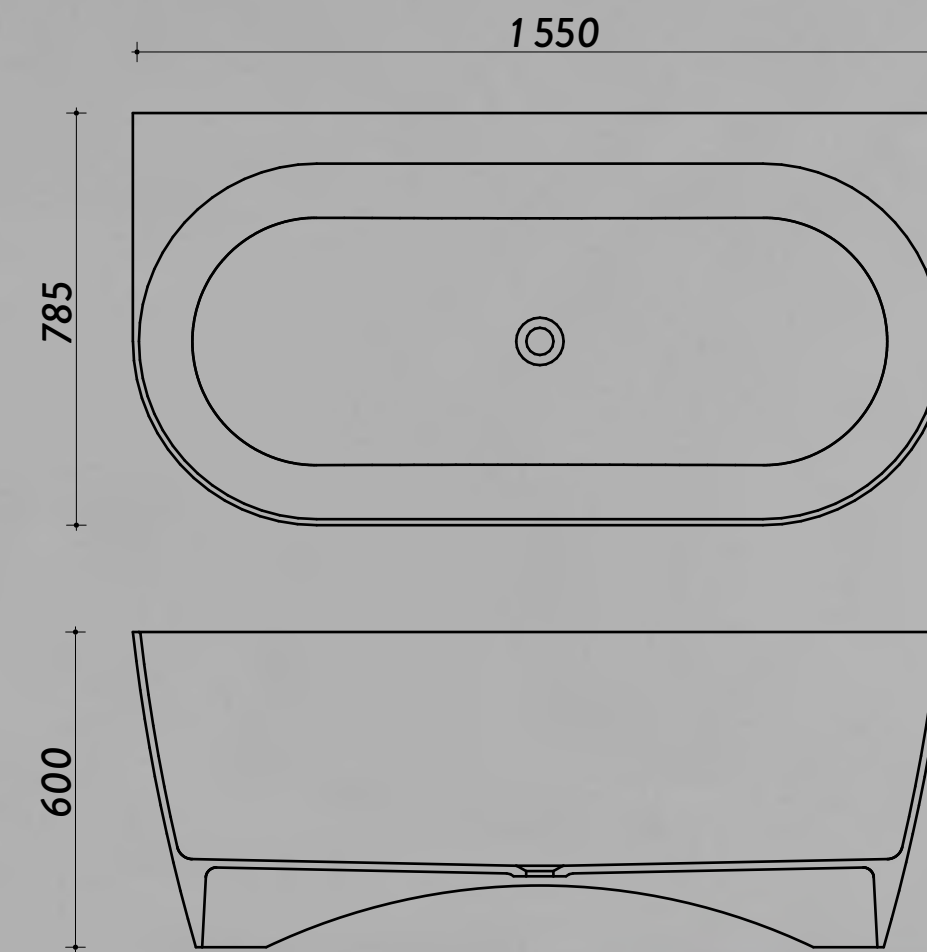
AQS 13

Wall-mounted bathtub
1550 x 800



AQS 14

Wall-mounted bathtub
1550 x 785



The image features a light grey background with a complex pattern of overlapping, hand-drawn blue lines. These lines form various shapes, including large ovals, smaller circles, and intricate spirals. In the center of the composition is a solid grey circle with a thin white border. Inside this central circle, the word "Washbasins" is written in a bold, black, sans-serif font.

Washbasins

Free-standing washbasins

AQS 27



AQS 12

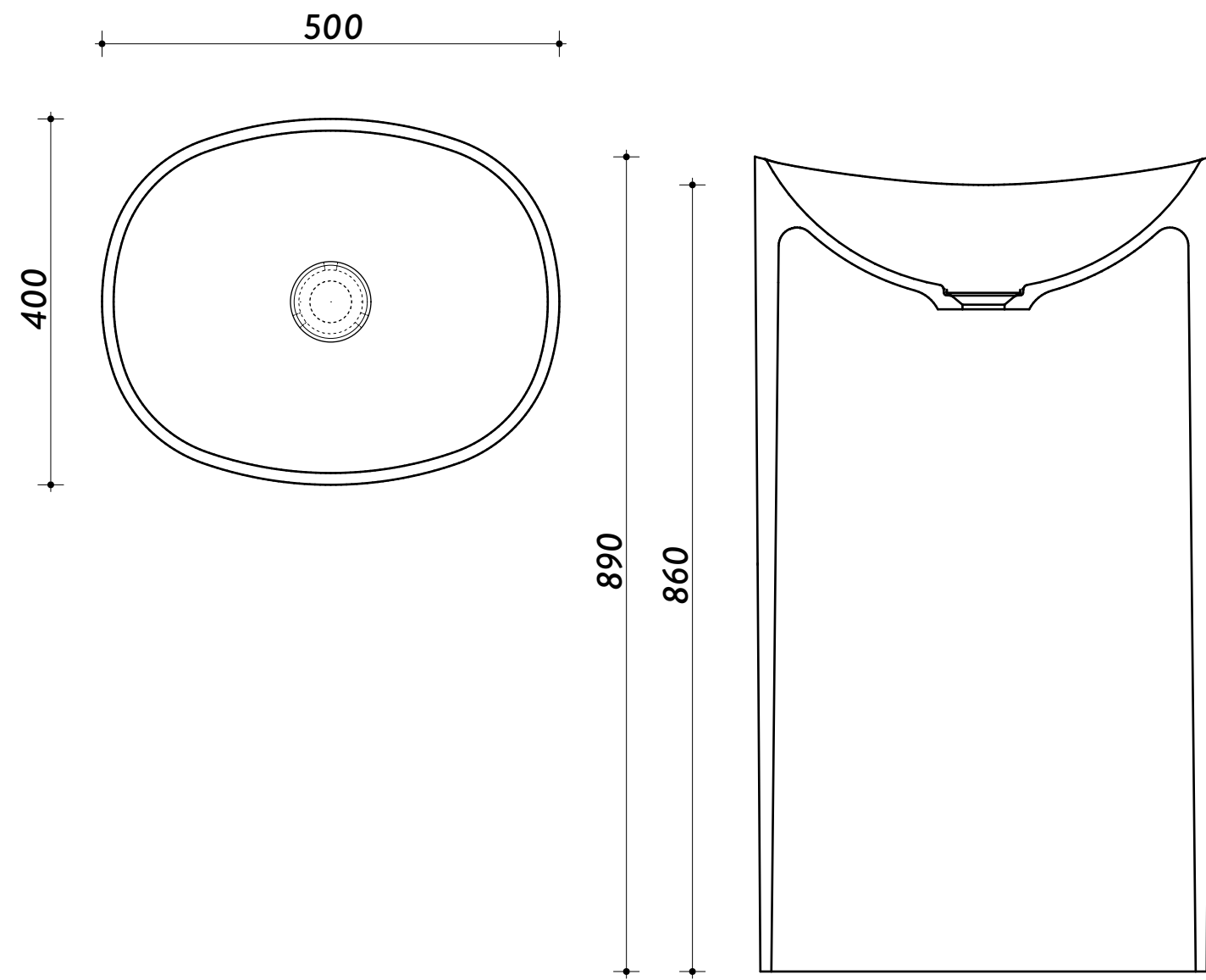


AQS 11

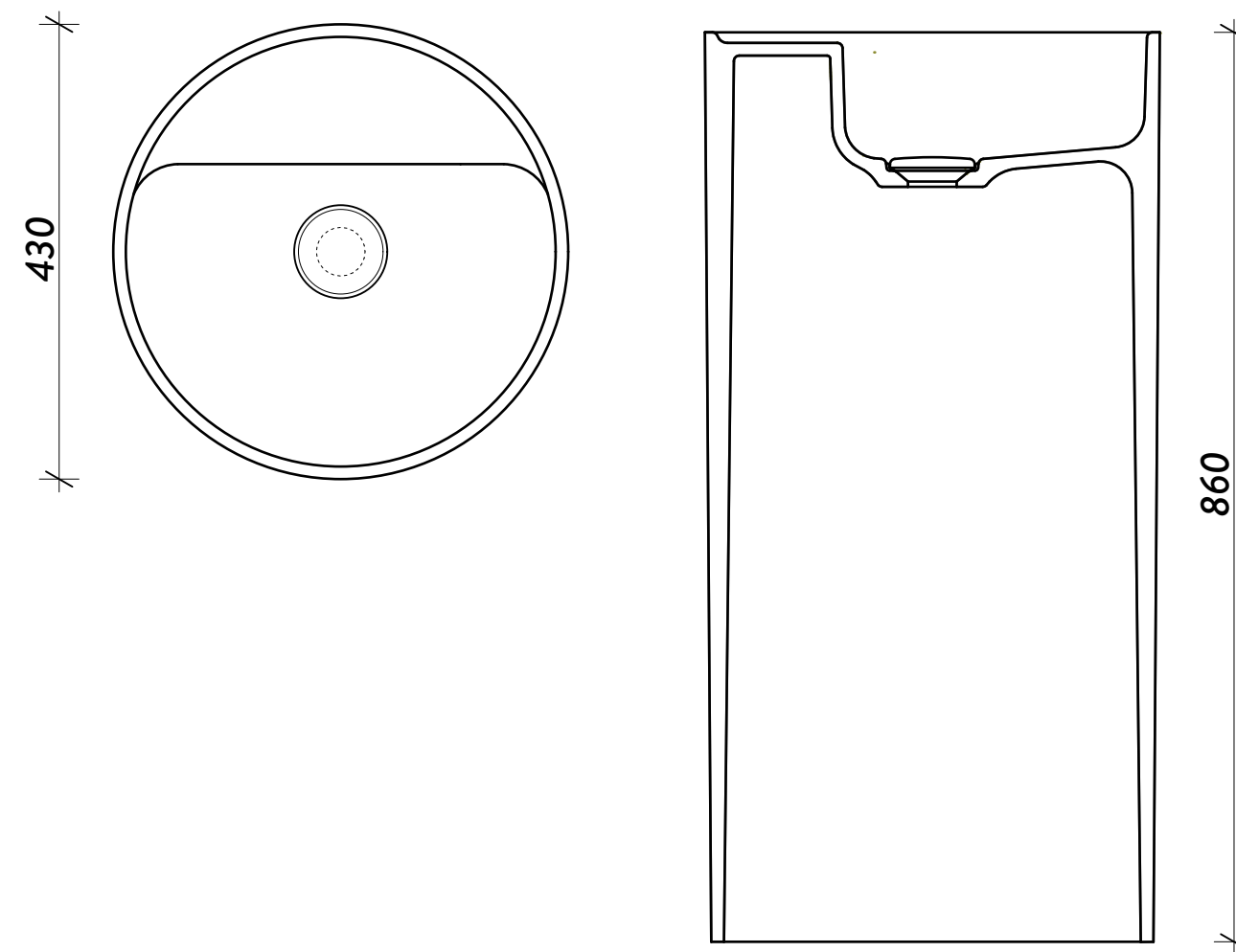


Free-standing washbasins

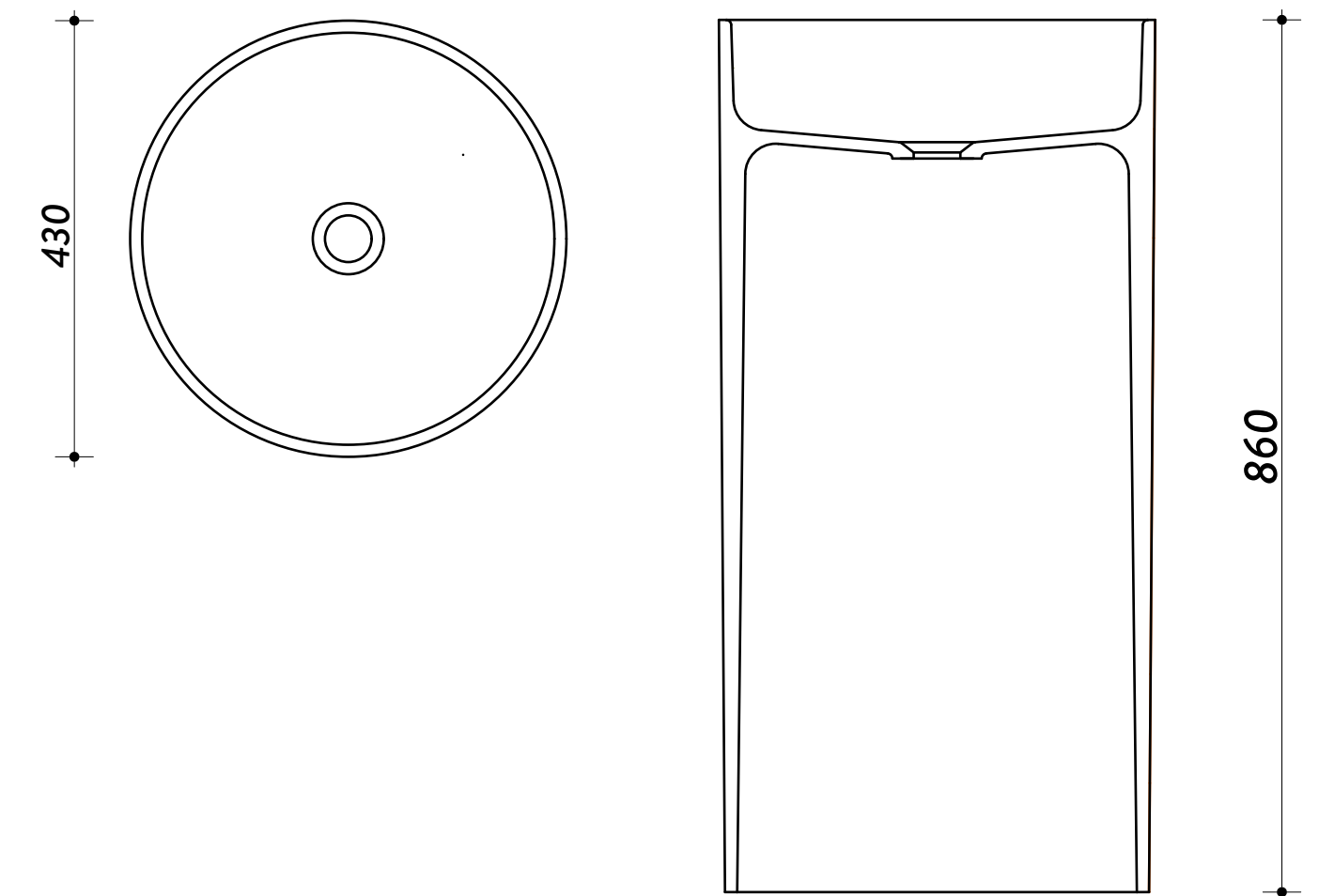
AQS 11



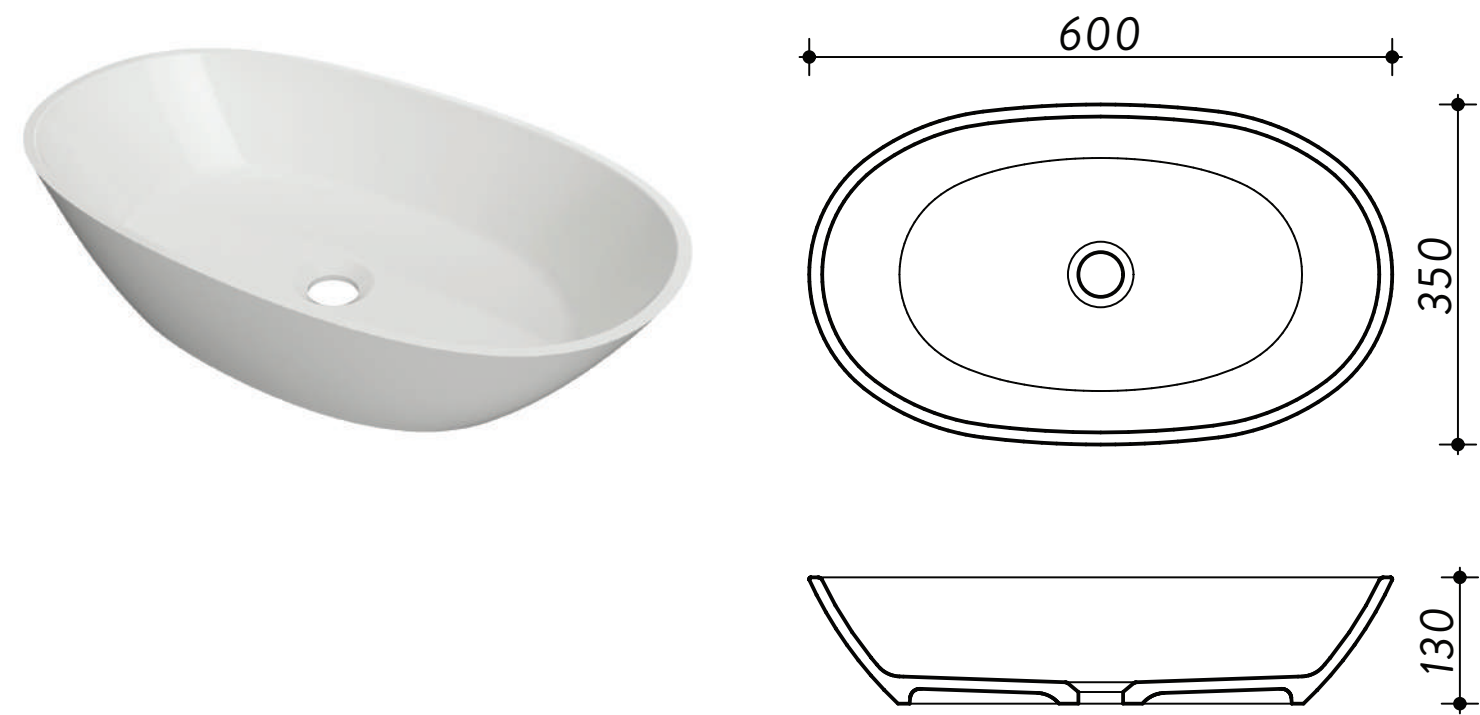
AQS 12



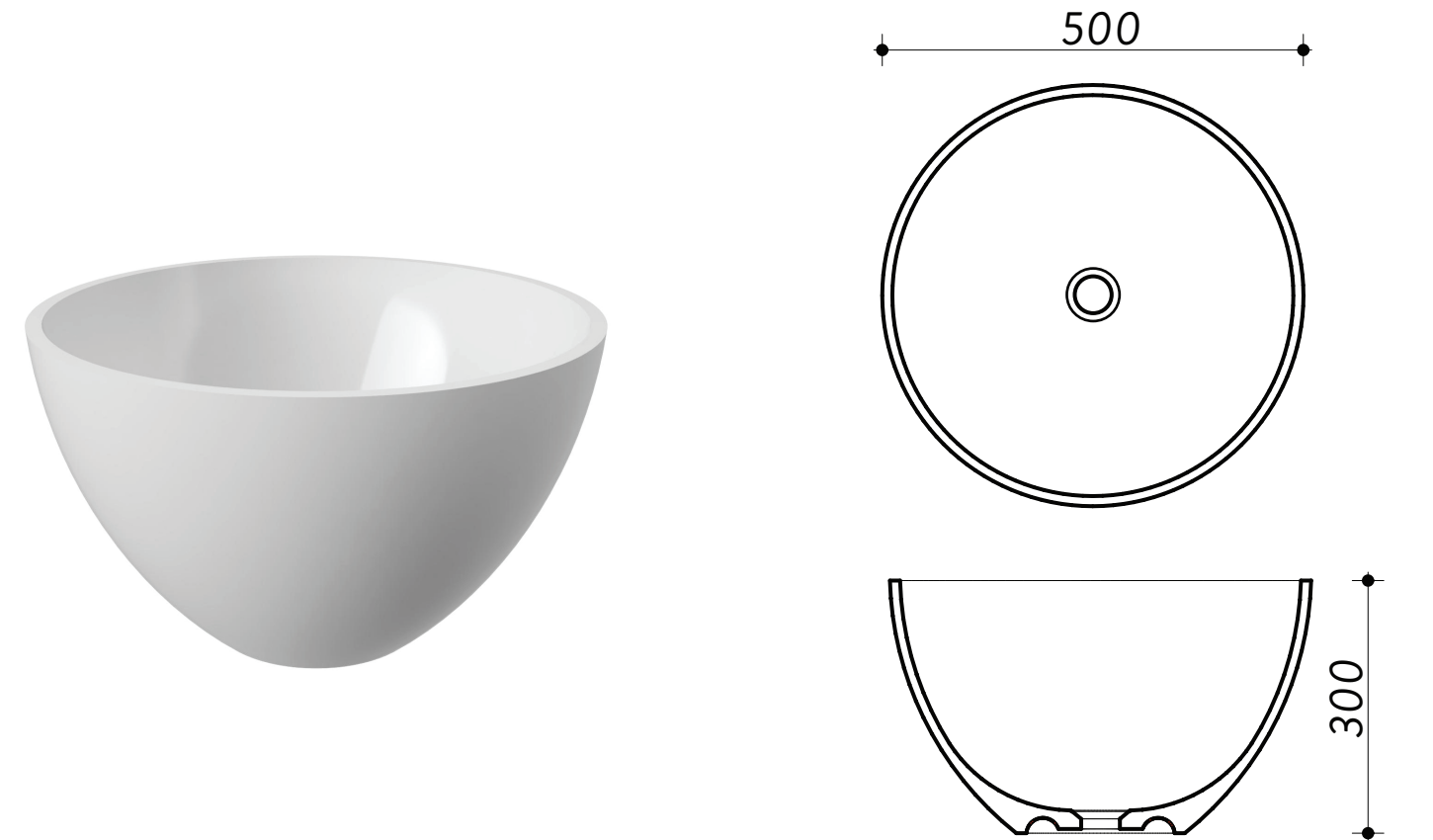
AQS 27



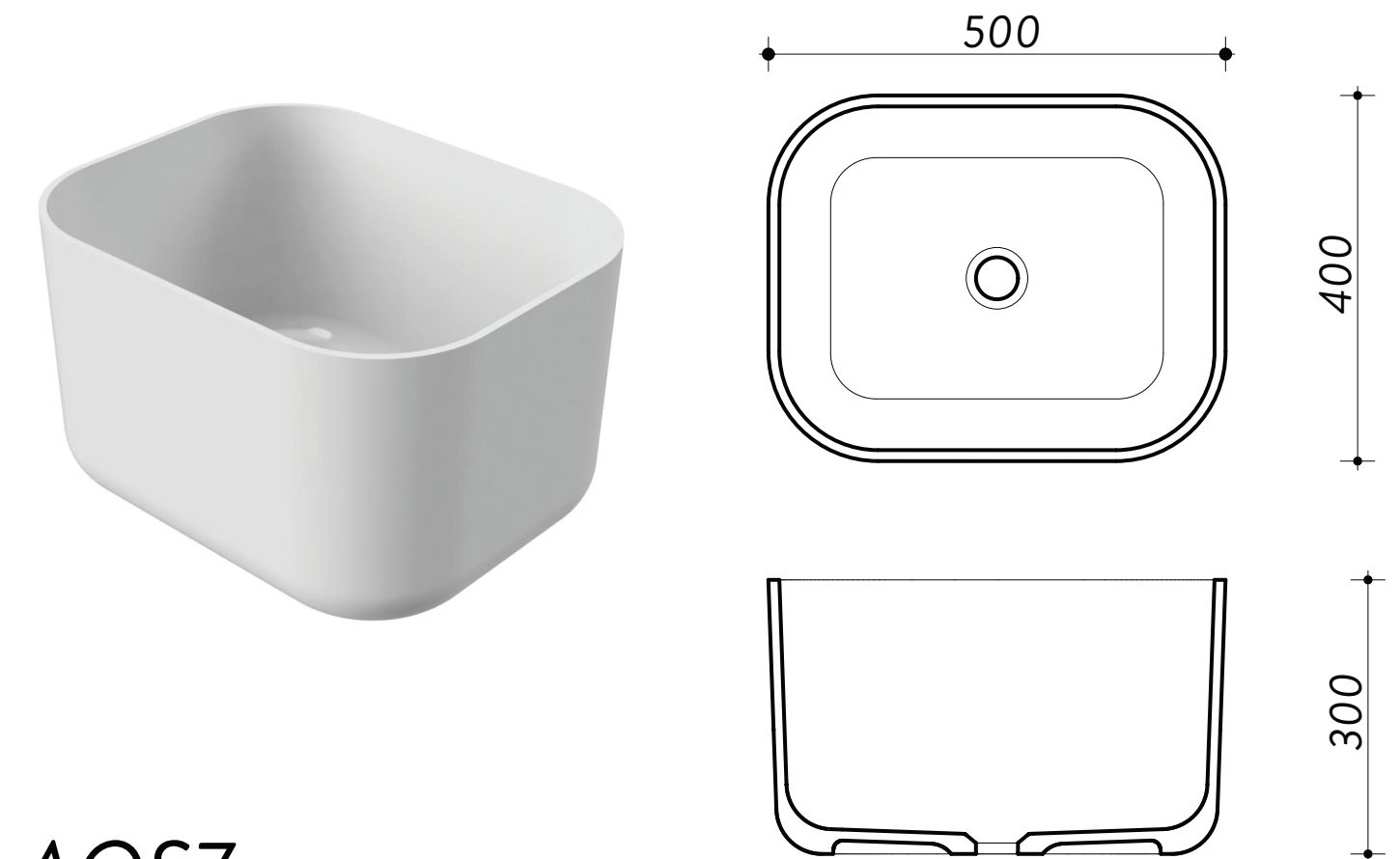
AQS2



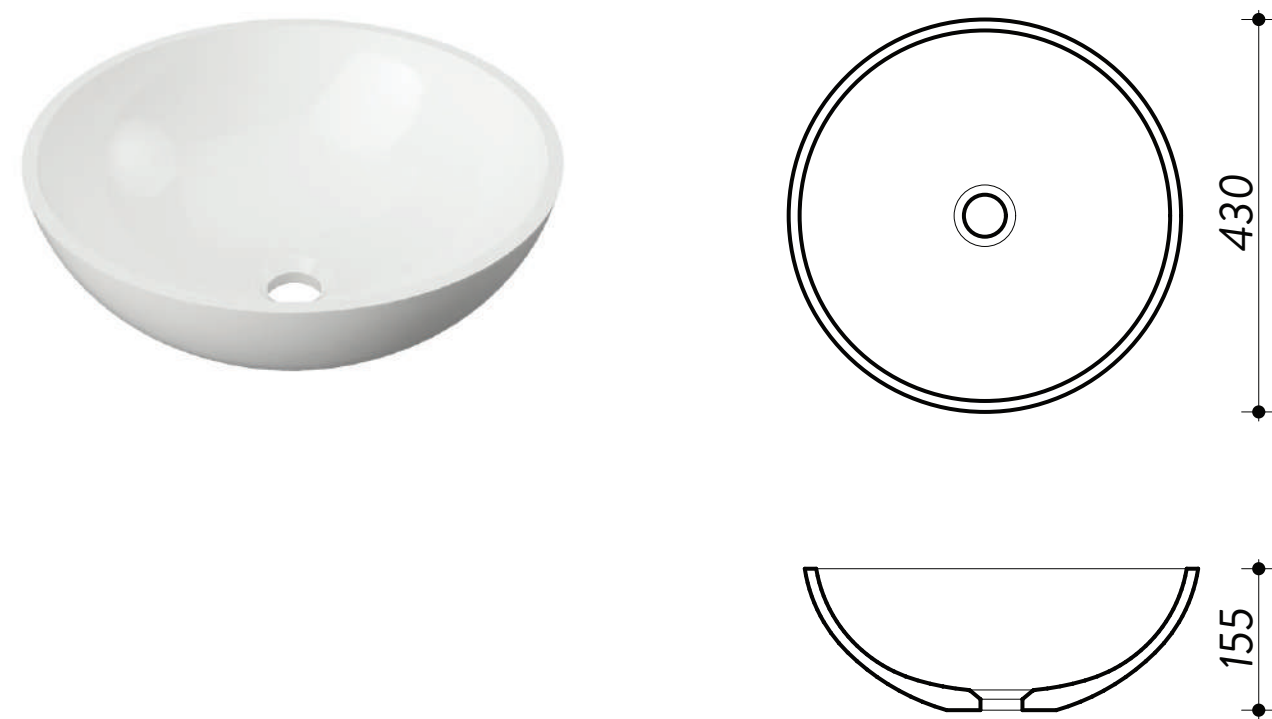
AQS3



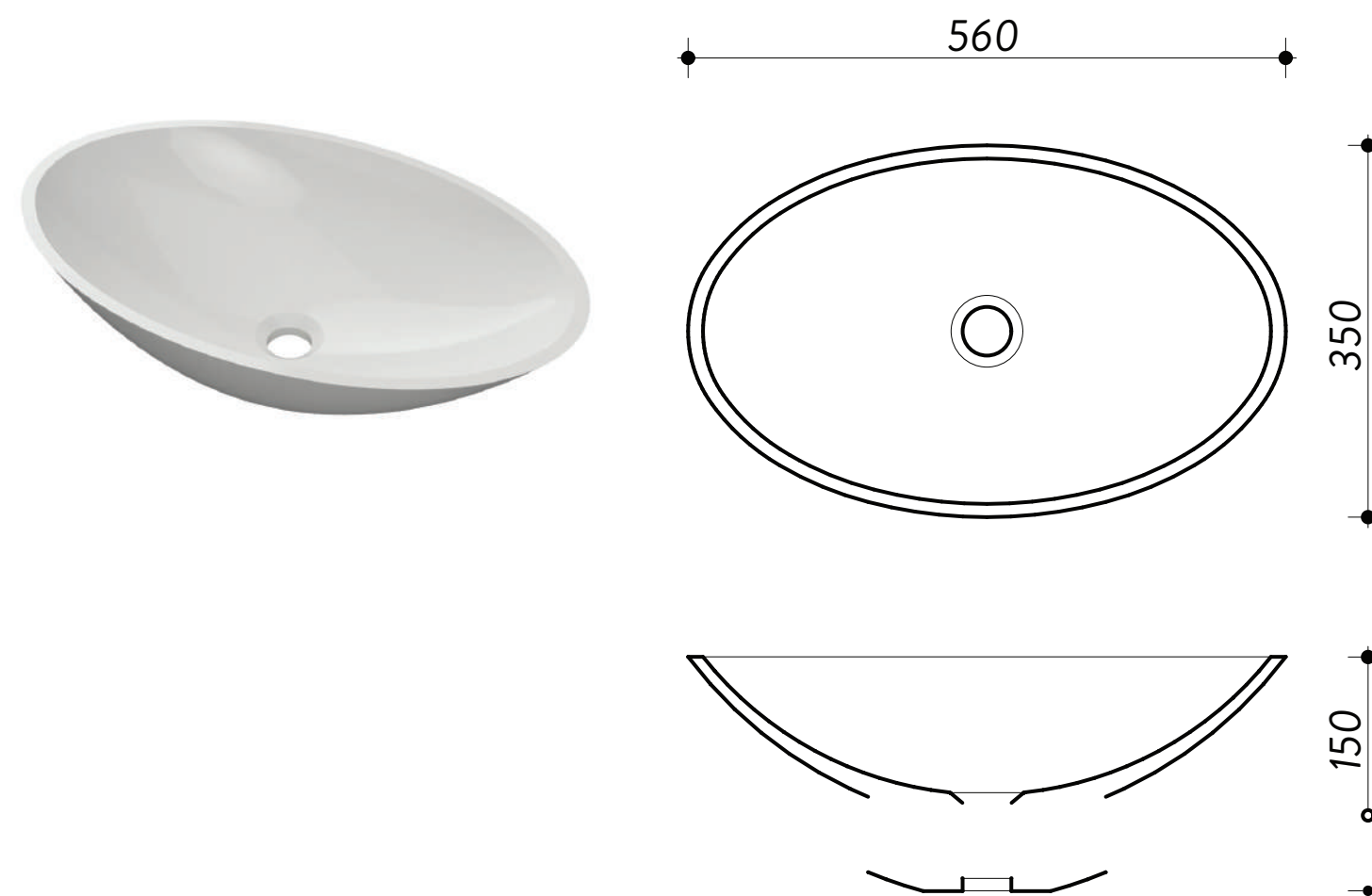
AQS4



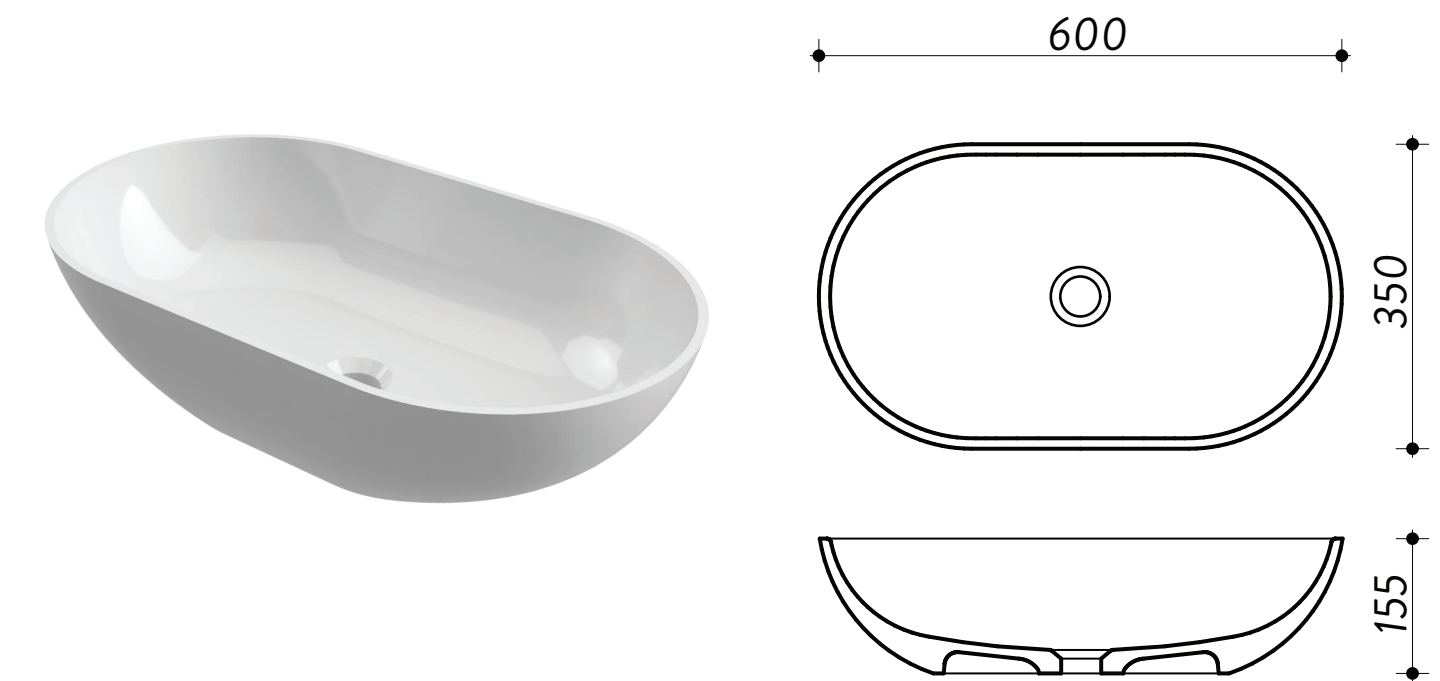
AQS5



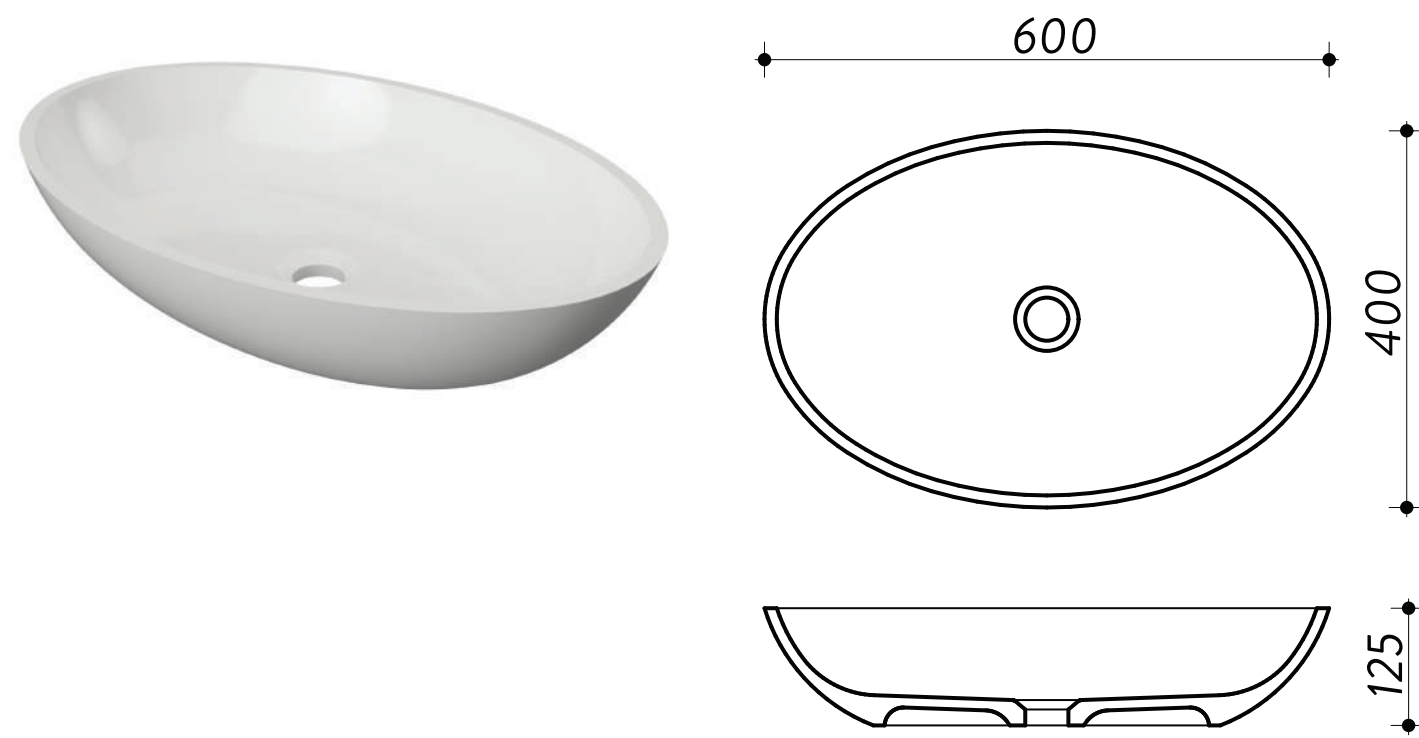
AQS6



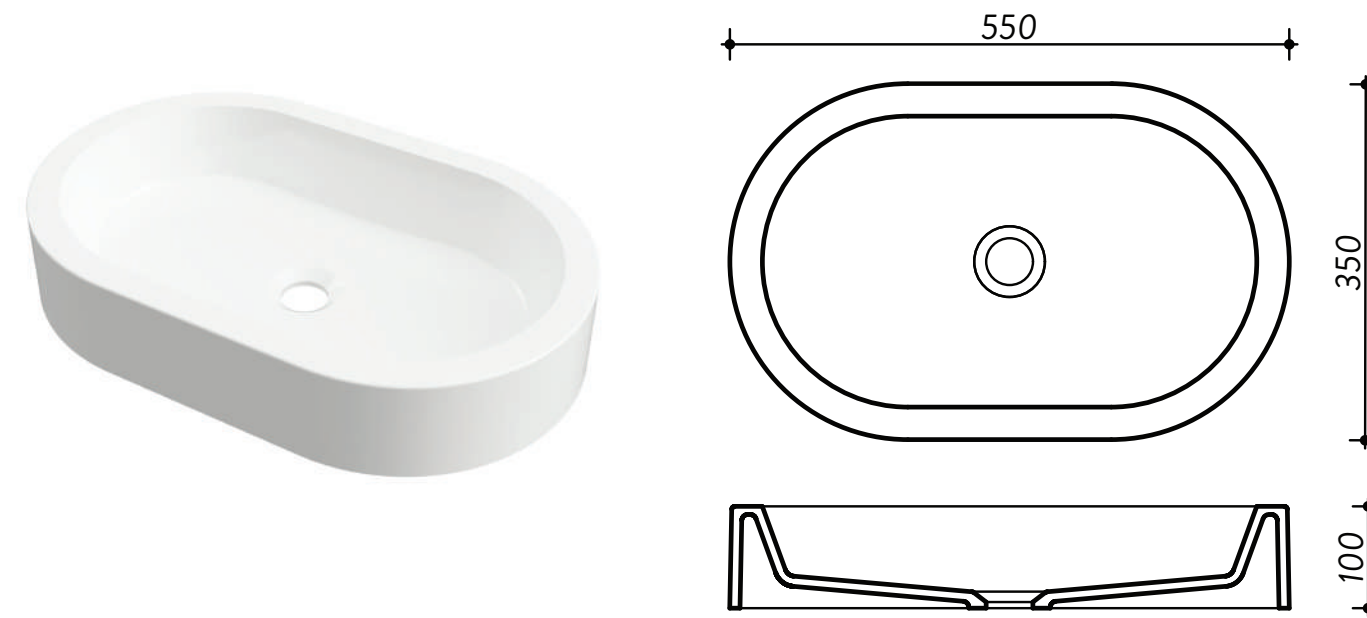
AQS7



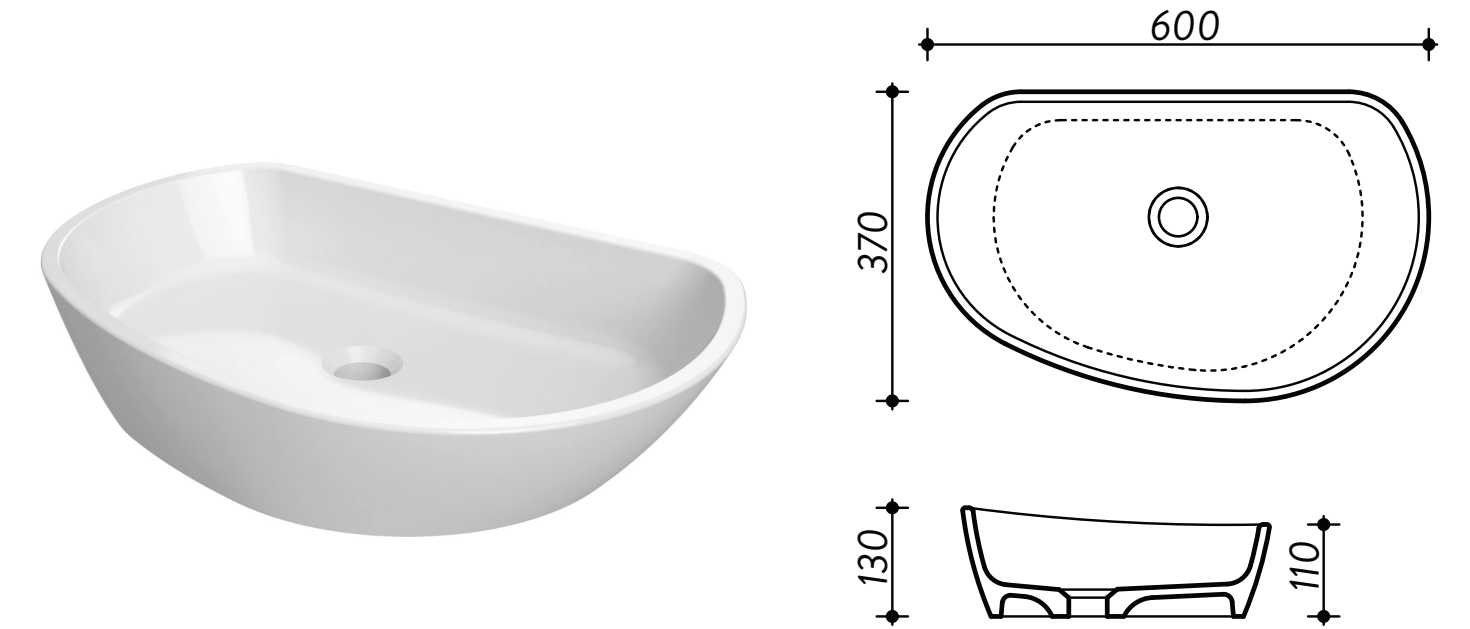
AQS8



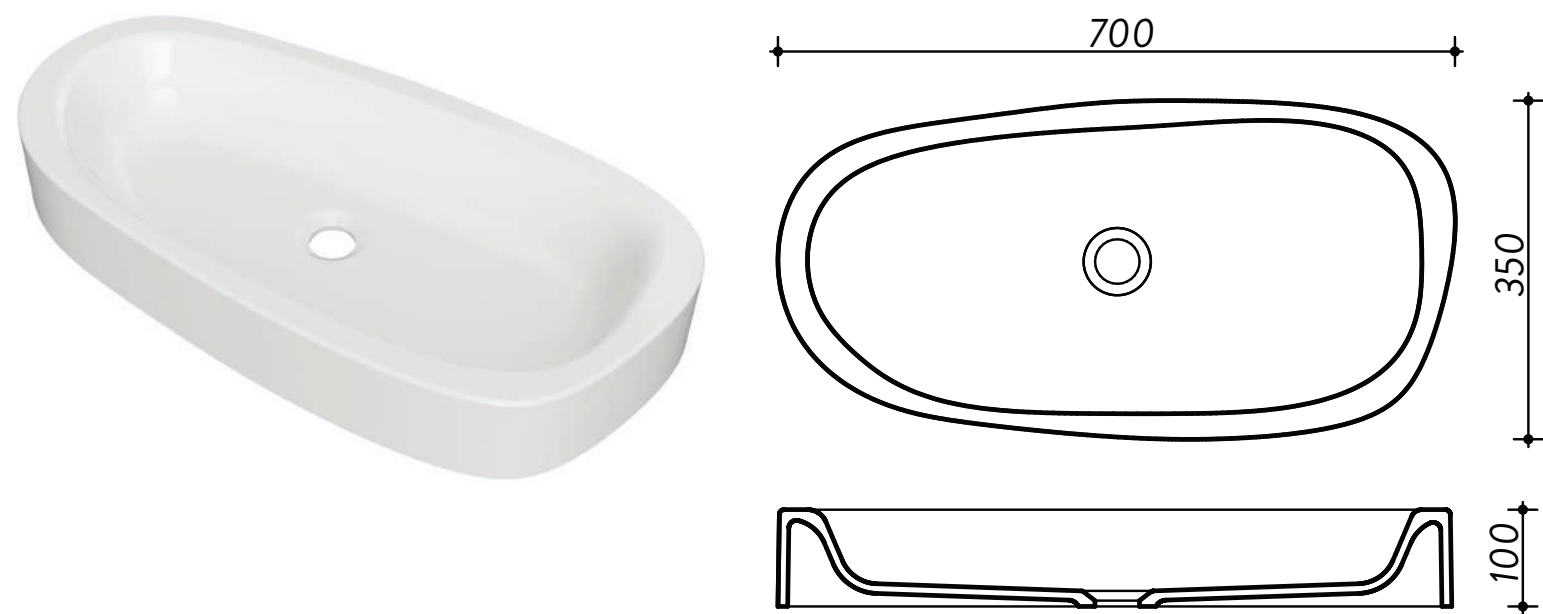
AQS 9 A



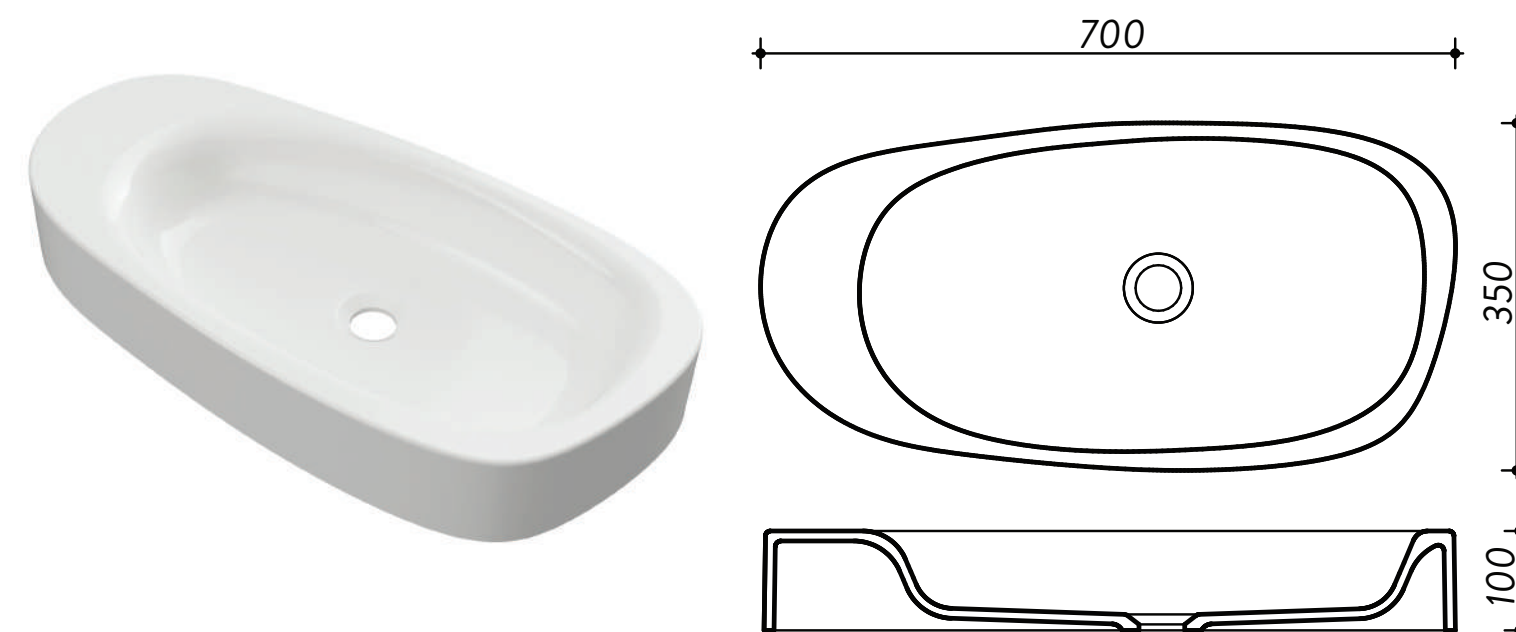
AQS10



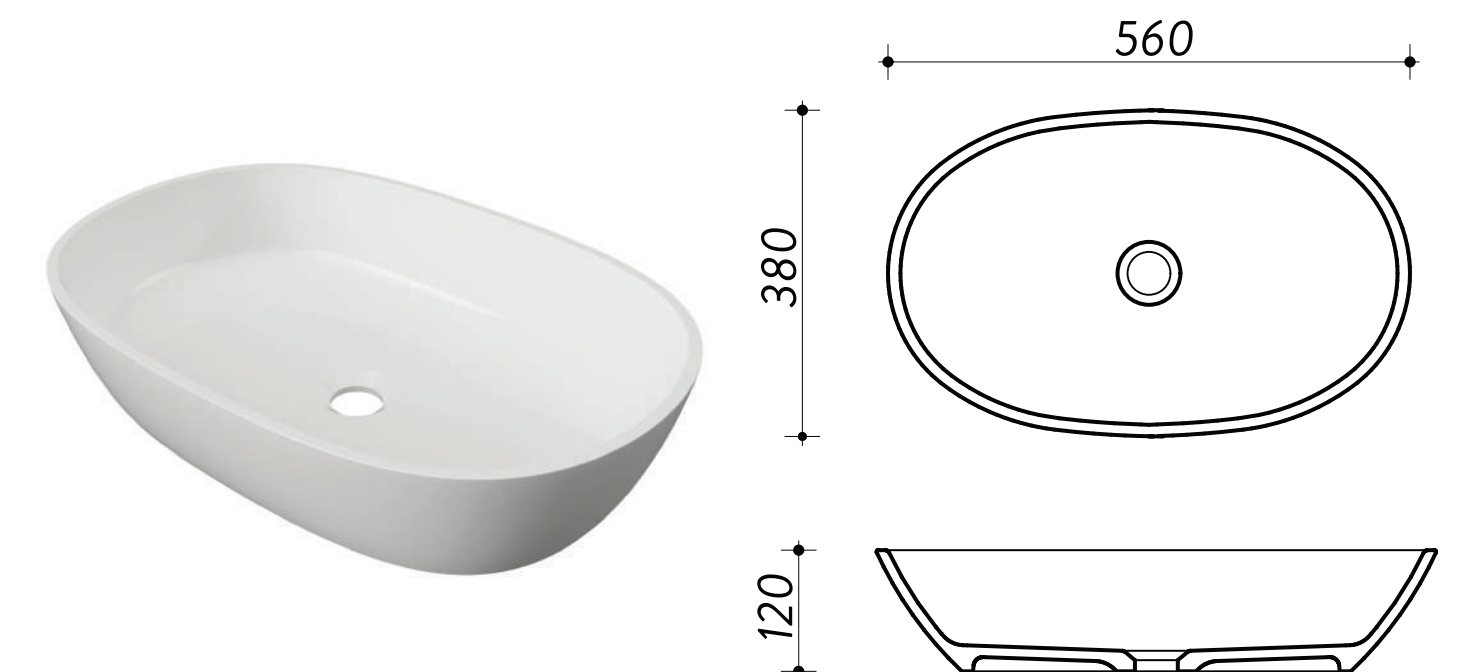
AQS 13 E



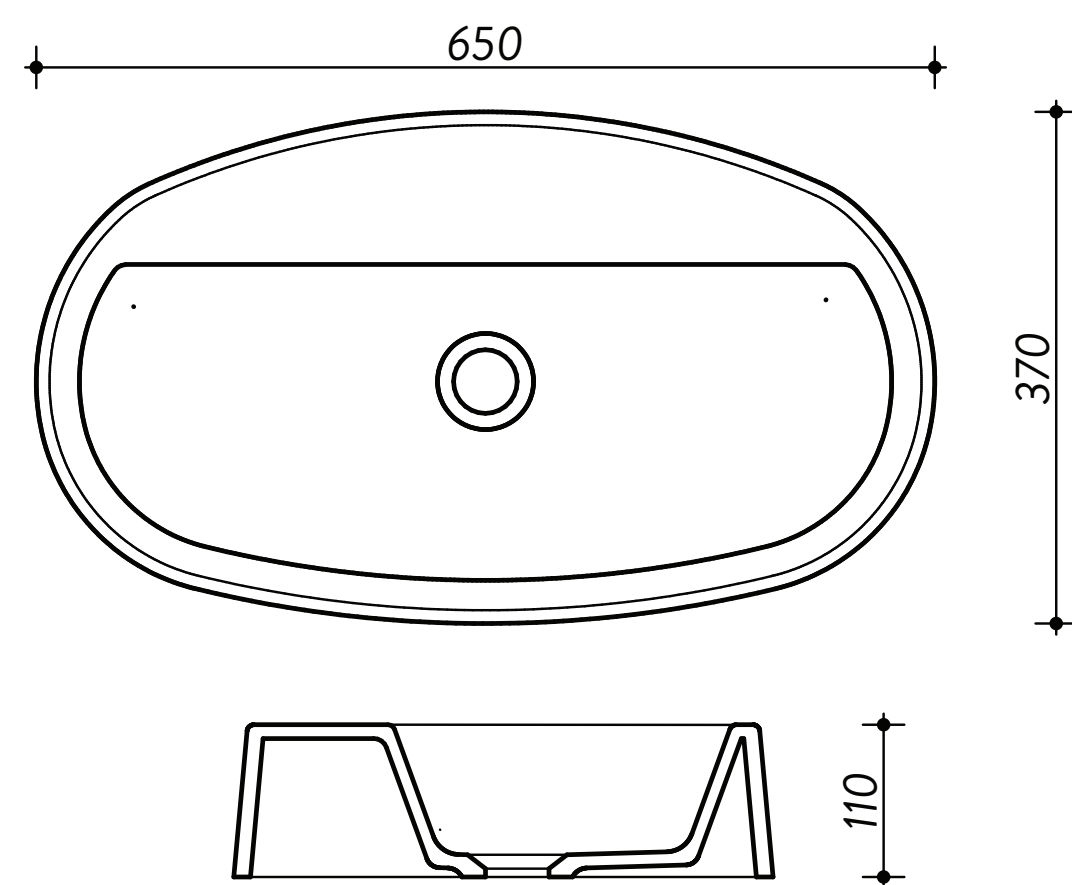
AQS 13 F



AQS 17



AQS 14 D





shower trays



SHOWER TRAYS AQS ST

surface finishing: gloss / mat

available models: 700 x 900
800 x 800
800 x 900
800 x 1000
800 x 1100
800 x 1200
800 x 1400
900 x 900
900 x 1000
900 x 1200
900 x 1400
900 R

SHOWER TRAYS AQS ST

glossy finish

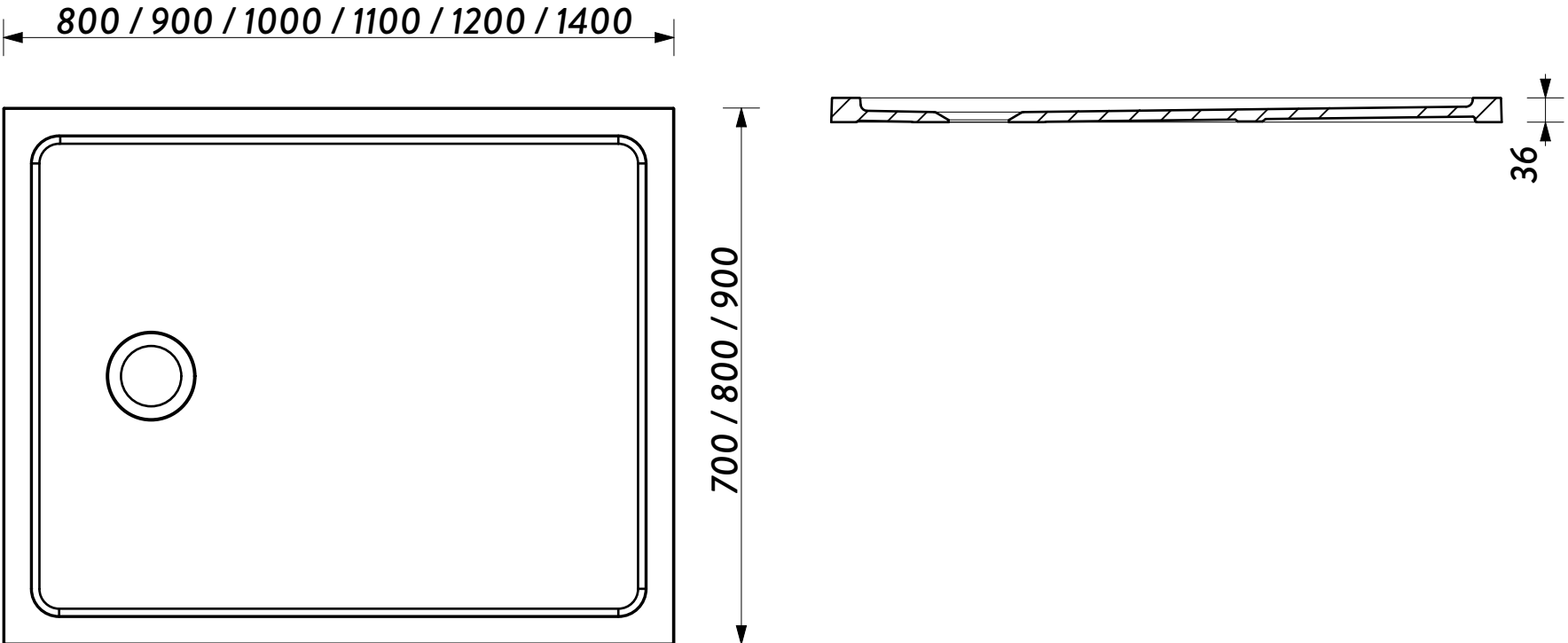


mat finish



ST square and rectangular

- 700 x 900
- 800 x 800
- 800 x 900
- 800 x 1000
- 800 x 1100
- 800 x 1200
- 800 x 1400
- 900 x 900
- 900 x 1000
- 900 x 1200
- 900 x 1400



glossy finish

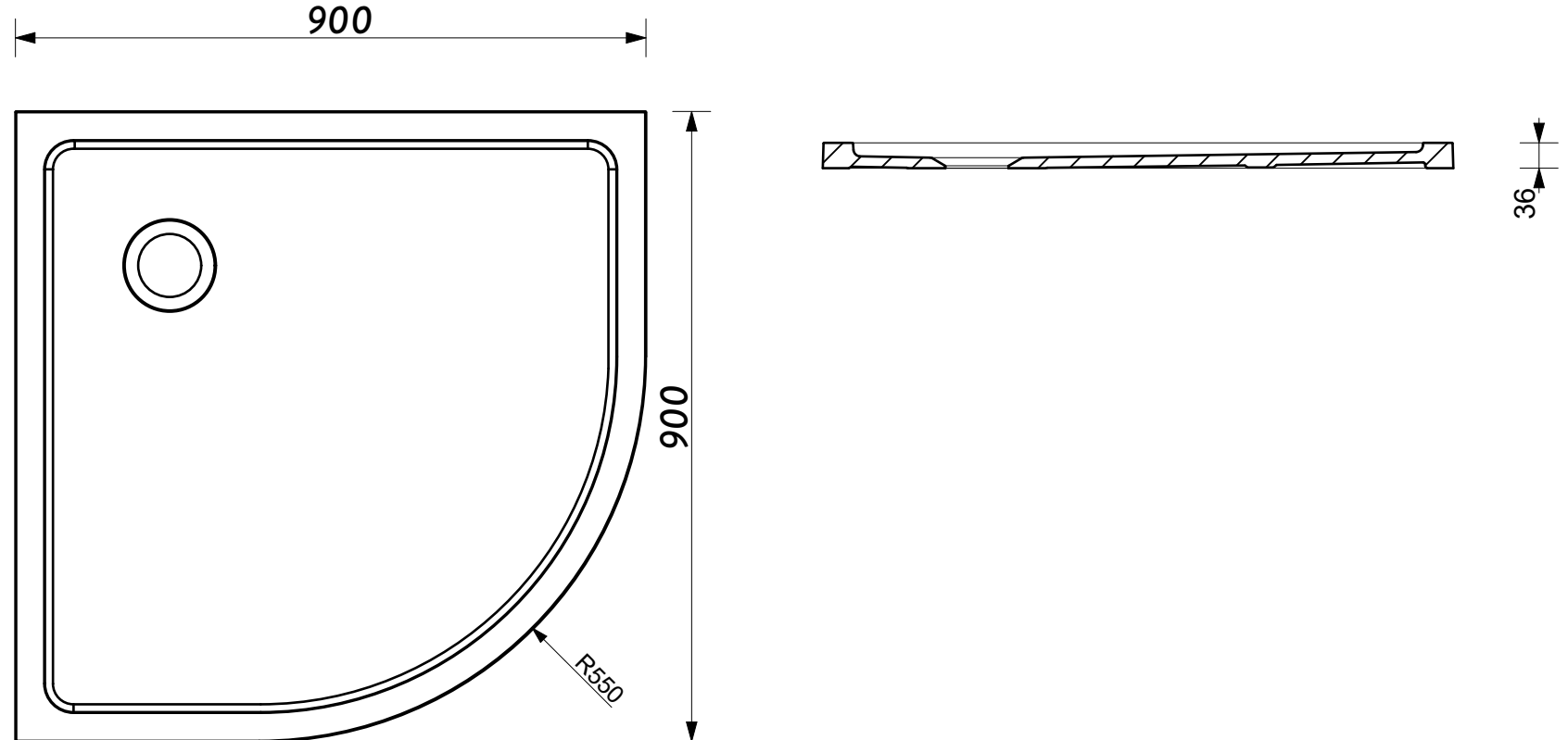


mat finish



ST rounded

900 x 900



SHOWER TRAYS AQS ST STONE

Finish: stone texture





SHOWER TRAYS AQS ST STONE

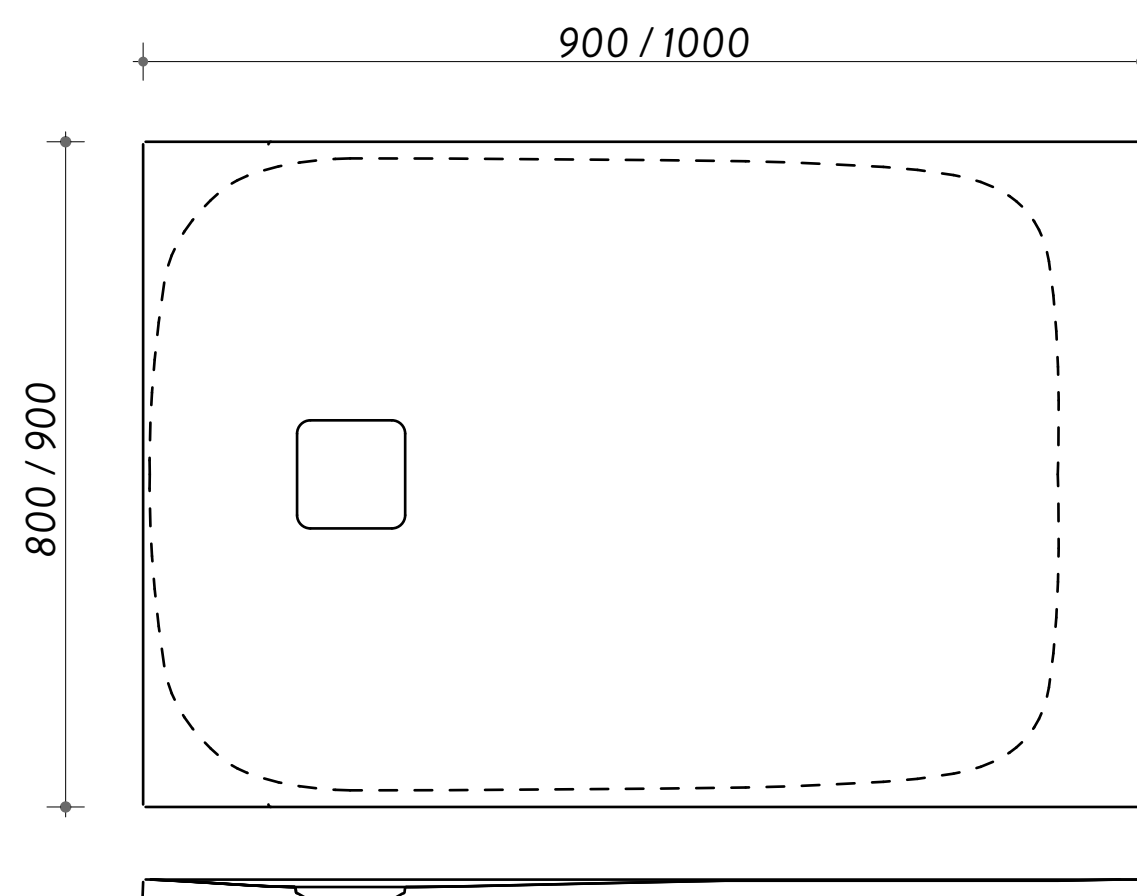
Finish: stone texture

Available models: 800 x 1000
800 x 1200
800 x 1400
900 x 900
900 x 1000
900 x 1200
900 x 1400

SHOWER TRAYS AQS ST STONE

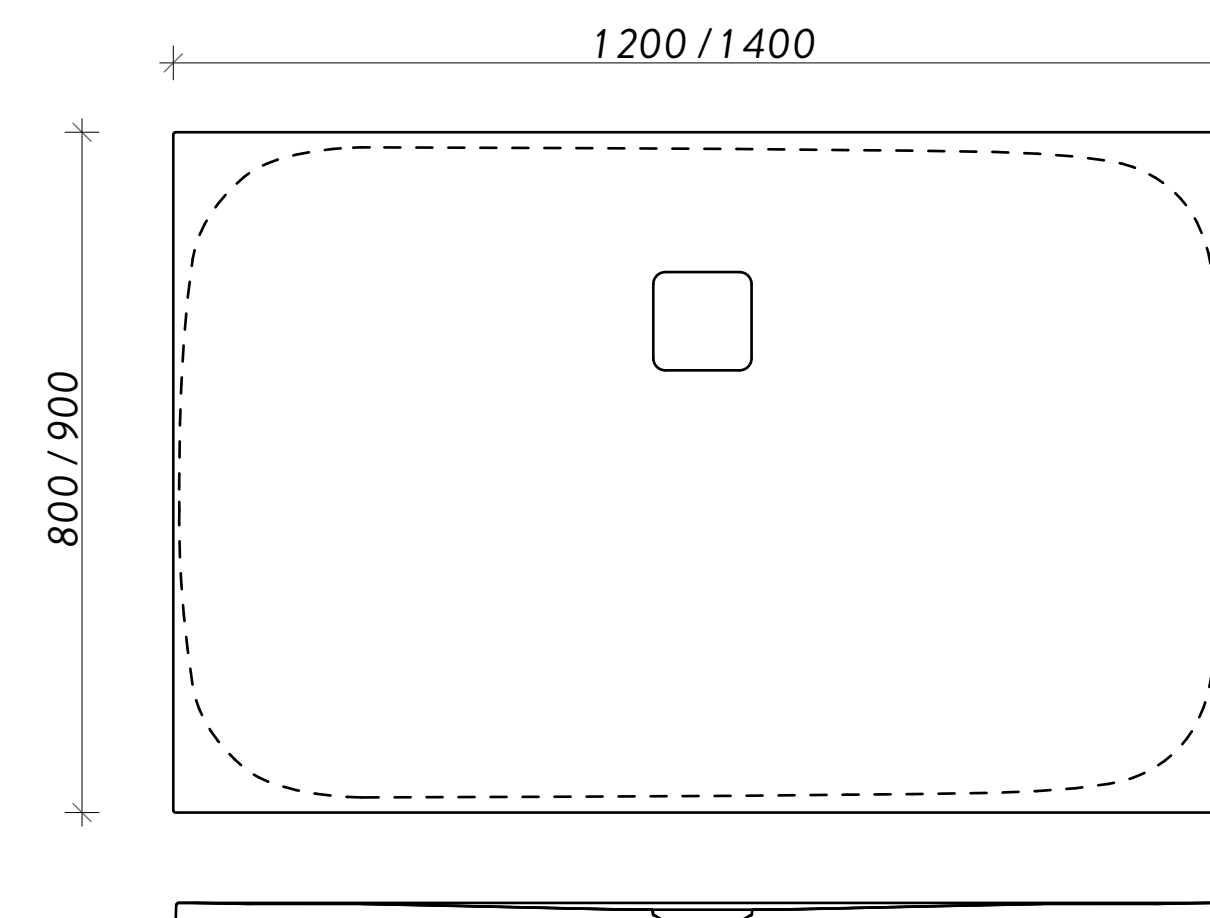
ST STONE with sipfon on shorter edge

800 x 1000
900 x 900
900 x 1000

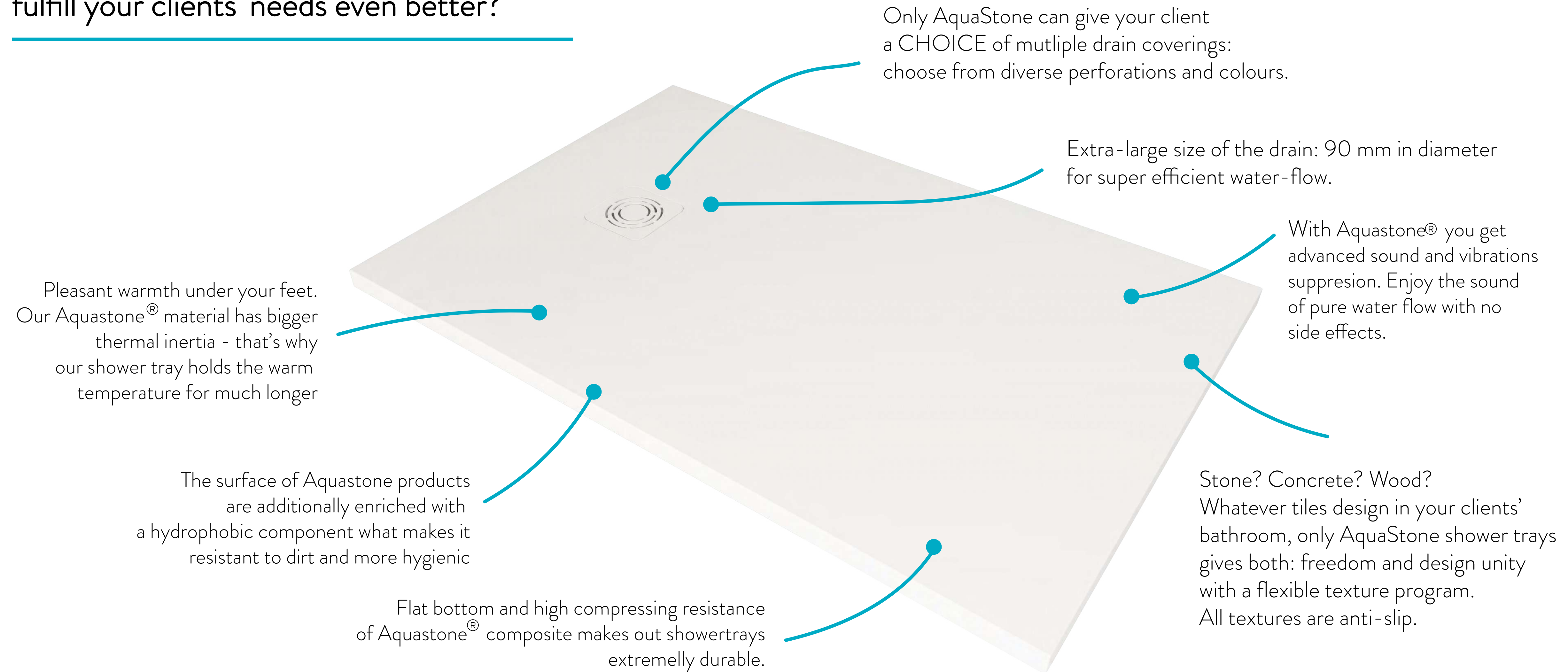


ST STONE with sipfon on longer edge

800 x 1200
800 x 1400
900 x 1200
900 x 1400



Why do our shower trays fulfill your clients' needs even better?



Rectangular A



Rectangular B



Circular A



Circular B



Covers

Textures

Smooth
Glossy / Mat

Concrete
(anti-slip)



Slate Stone
(anti-slip)

Beach Sand
(anti-slip)



MORE CUSTOM MADE OPTIONS TO ENRICH YOUR PRODUCT



ANY

**Color
Finish
Texture**

YOU LIKE!



With our made-to-order approach we are ready to deliver customized products designed especially for your label.

We specialize in glossy and mat finishes, 3d textured surfaces, mono and bicolored products.



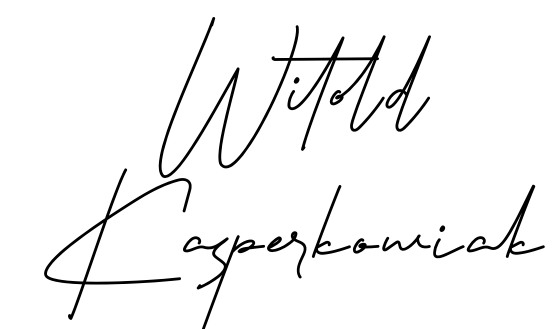
AQUASTONE

Thank you for your time.

We look forward to our cooperation.



Marcin Sojda



Witold Kasperkowiak

AquaStone Sp. z o.o
Gospodarcza 26
20-213 Lublin, Poland